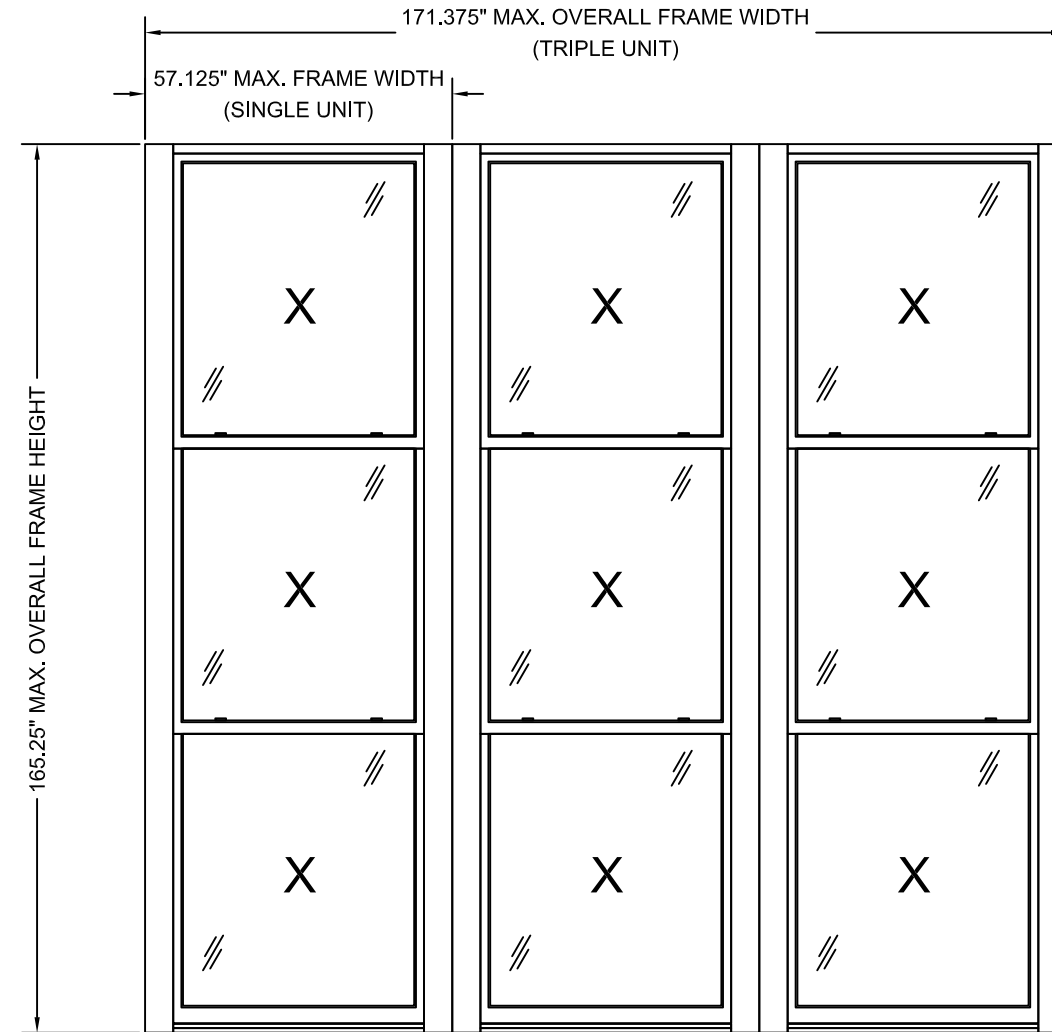


OLIVERI MILLWORKS

3001 Tuxedo Avenue
West Palm Beach, FL. 33405

TRIPLE HUNG WINDOW "IMPACT"



NOTE: Triple Hung Window shown as three units wide.
(Twin units or unlimited multiple units in the horizontal direction are allowed).

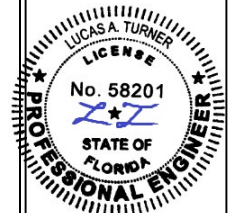
GENERAL NOTES

1. This product has been evaluated and is in compliance with 8th Edition (2023) Florida Building Code (FBC) structural requirements including the "High Velocity Hurricane Zone" (HVHZ).
2. Product anchors shall be as listed and spaced as shown on details. Anchor embedment to base materials shall be beyond wall dressing or stucco.
3. When used in the "HVHZ" this product complies with Section 1626 of the FBC and does not require an impact resistant covering.
4. For 2x stud framing construction, anchoring of these units shall be the same as that shown for 2x buck masonry construction.
5. All window frame wood to be Specific Gravity of 0.55 min. (Sapele or similar).
6. Site conditions that deviate from the details of this drawing require further engineering analysis by a licensed engineer or registered architect.
7. This product meets the water infiltration requirements for "HVHZ".

TABLE OF CONTENTS

SHEET #	DESCRIPTION
1	Typical elevation, design pressures & general notes
2	Horizontal cross sections
3	Horizontal cross sections
4	Vertical cross sections
5	Vertical cross sections
6	Buck anchoring
7	Frame anchoring
8	Components
9	Bill of materials, glazing details and components

MAX FRAME DIMENSION	MAX D.L.O DIMENSION	GLASS TYPE	DESIGN PRESSURE (PSF)	
			POSITIVE	NEGATIVE
57.125" X 165.25"	42.75" X 50.375"	A	+ 50.0	- 50.0
57.125" X 165.25"	42.75" X 50.375"	B	+60.0	- 65.0
57.125" X 165.25"	42.75" X 50.375"	C	+ 70.0	- 75.0



10/18/2023

TE&C
LUCAS A. TURNER, P.E. FL PE 58201
TURNER ENGINEERING & CONSULTING, INC.
PH. 941-360-1574
2428 OLD NATCHEZ TRACE TRAIL
CAMDEN, TN 38320

OWW LLC
3001 Tuxedo Ave., West Palm Beach, Fl. 33405
Ph. 561-478-7233 Fax 561-478-7858

WEIGHT AND CHAIN WINDOW
TYPICAL ELEVATION, DESIGN PRESSURES & GENERAL NOTES

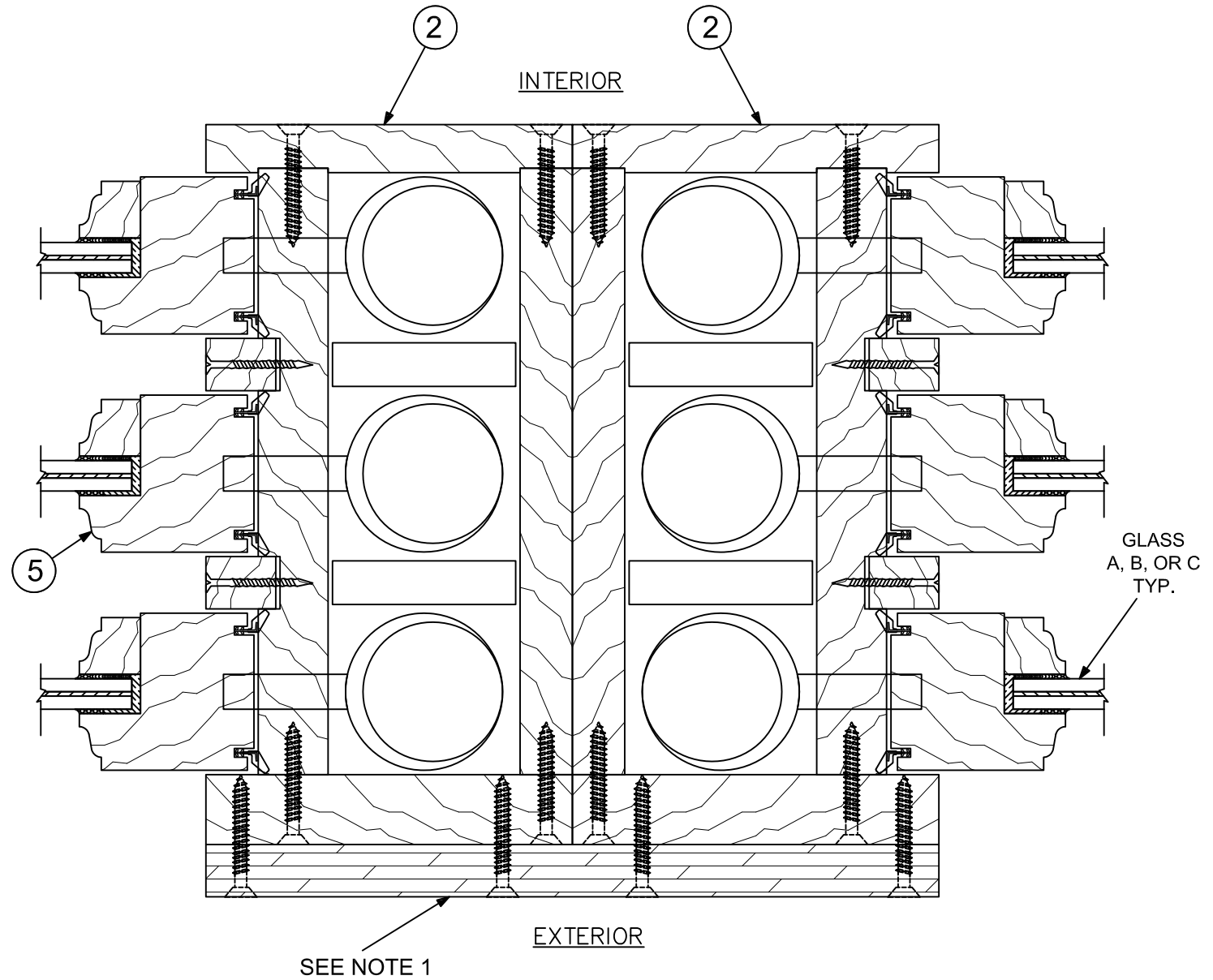
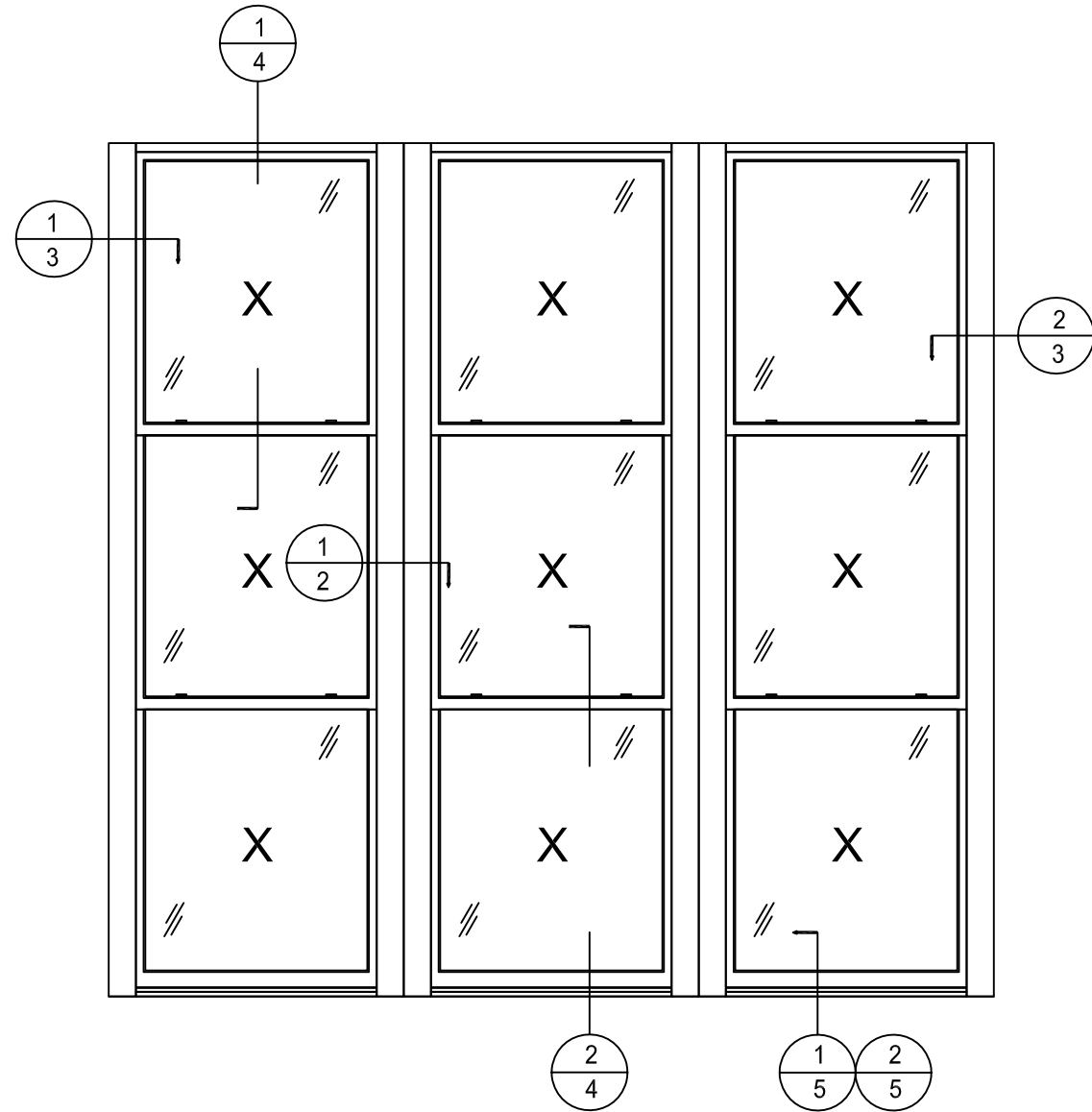
Product: SERIES 4500 TRIPLE TRIPLE HUNG
Date: 04-16-21
Scale: None
Drawn: JDS

Dwg: TTH-WC
FL34941.7

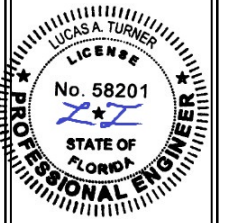
Sheet No.
1 OF 9

NOTE:

1. 7-1/4" X FULL HEIGHT WOOD GUSSET ($\frac{3}{4}$ " THICK EXTERIOR GRADE PLYWOOD OR SAPELLE) ATTACHED ALONG JAMB W/ 2 ROWS OF #8 X 1-1/2" SPAX® SCREWS, EACH ROW SPACED @ 8" O.C.



1
2 HORIZONTAL CROSS SECTION



10/18/2023

TE&C
LUCAS A. TURNER, P.E. FL PE 58201
TURNER ENGINEERING & CONSULTING, INC.
PH. 941-380-1574
2428 OLD NACHEZ TRACE TRAIL
CAMDEN, TN 38320

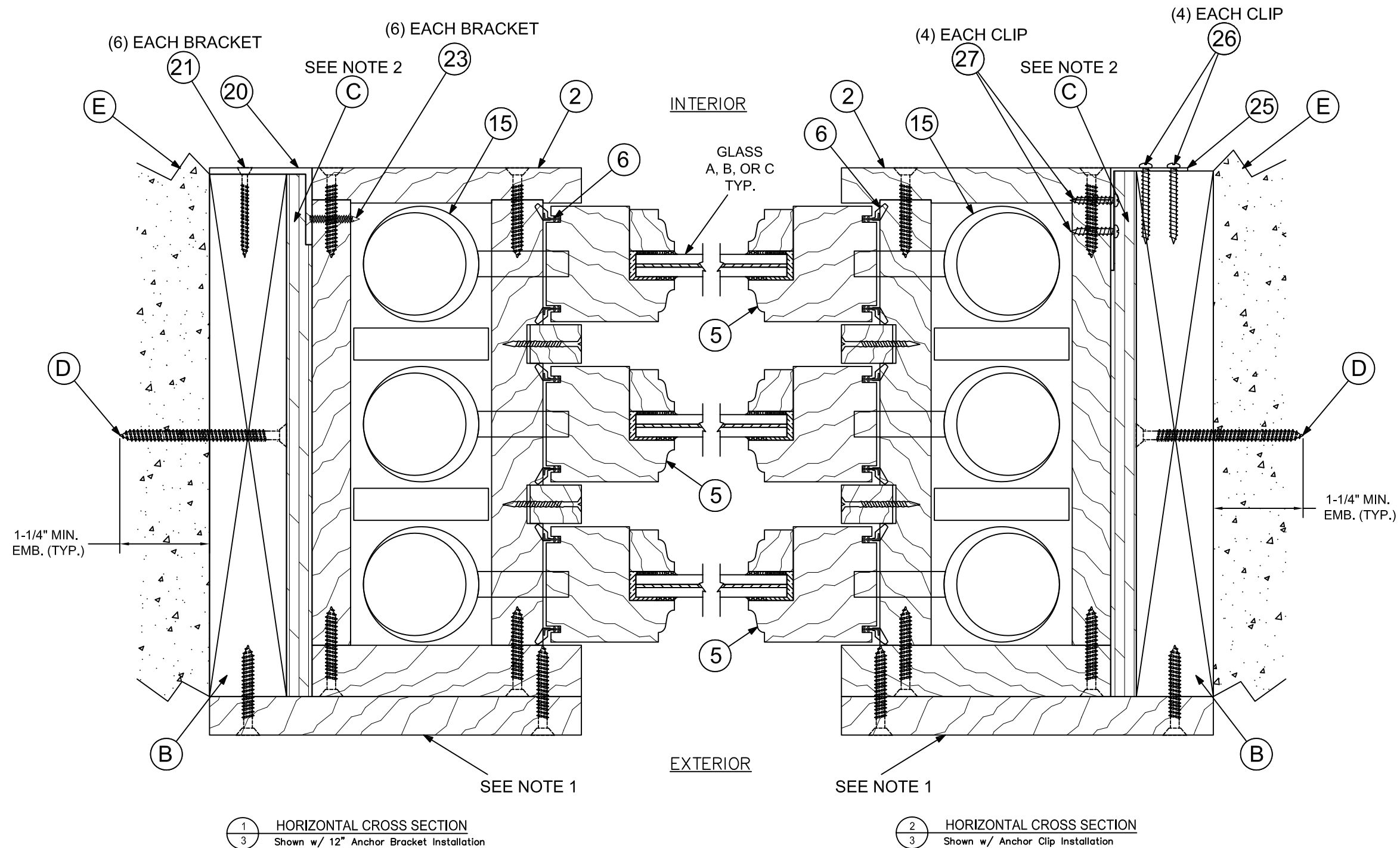
OWW LLC
3001 Tuwedo Ave., West Palm Beach, FL 33405
Ph. 561-478-7233 Fax 561-478-7858

Product: SERIES 4500
TRIPLE TRIPLE HUNG WEIGHT AND CHAIN WINDOW
Date: 04-16-21
Scale: None
Drawn: JDS

Dwg: TTH-WC
FL34941.7
Sheet No.
2 OF 9

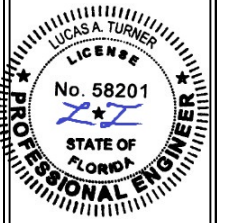
NOTES:

- 7-1/4" X FULL HEIGHT WOOD GUSSET (3/4" THICK EXTERIOR GRADE PLYWOOD OR SAPELLE) ATTACHED ALONG JAMB w/ 2 ROWS OF #8 X 1-1/2" SPAX® SCREWS, EACH ROW SPACED @ 8" O.C.
- 1/2" MAX. PLYWOOD OR LOAD-BEARING SHIMS TO FULLY SUPPORT FRAME AT EACH ANCHOR BRACKET OR CLIP (FULL DEPTH OF FRAME, FULL HEIGHT OF BRACKET OR CLIP), ATTACH AS NEEDED TO KEEP IN PLACE



1 HORIZONTAL CROSS SECTION
3 Shown w/ 12" Anchor Bracket Installation

2 HORIZONTAL CROSS SECTION
3 Shown w/ Anchor Clip Installation



10/18/2023

TE&C
LUCAS A. TURNER, P.E. FL PE 58201
TURNER ENGINEERING & CONSULTING, INC.
PH. 941-360-1574
2428 OLD NATCHEZ TRACE TRAIL
CAMDEN, TN 38320

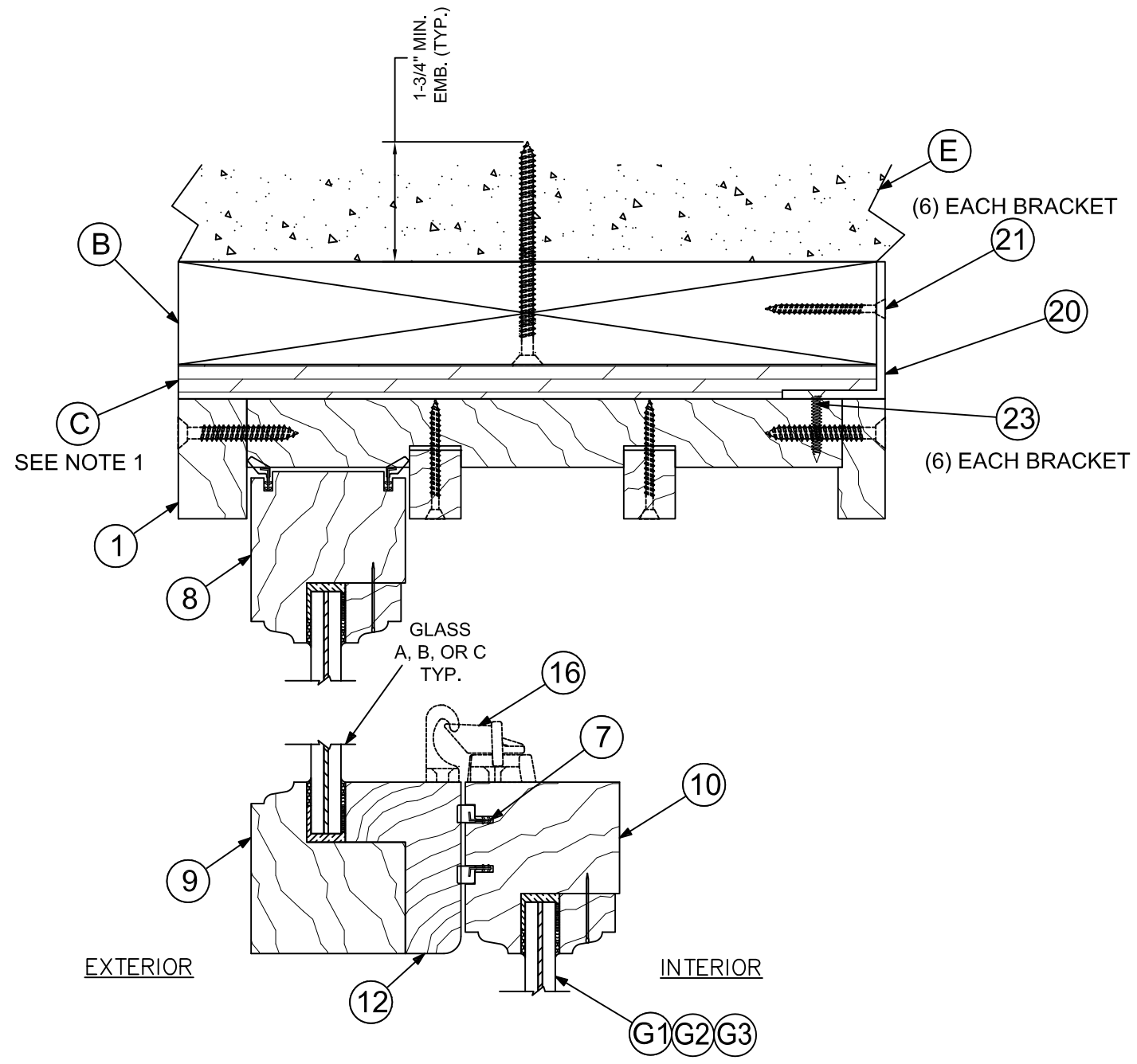
OWW LLC
3001 Tuxedo Ave., West Palm Beach, FL 33405
Ph. 561-478-7233 Fax 561-478-7858

HORIZONTAL CROSS SECTIONS

Product: SERIES 4500
TRIPLE TRIPLE HUNG WEIGHT AND CHAIN WINDOW
Date: 04-16-21
Scale: None
Drawn: JDS

Dwg: TTH-WC
FL34941.7

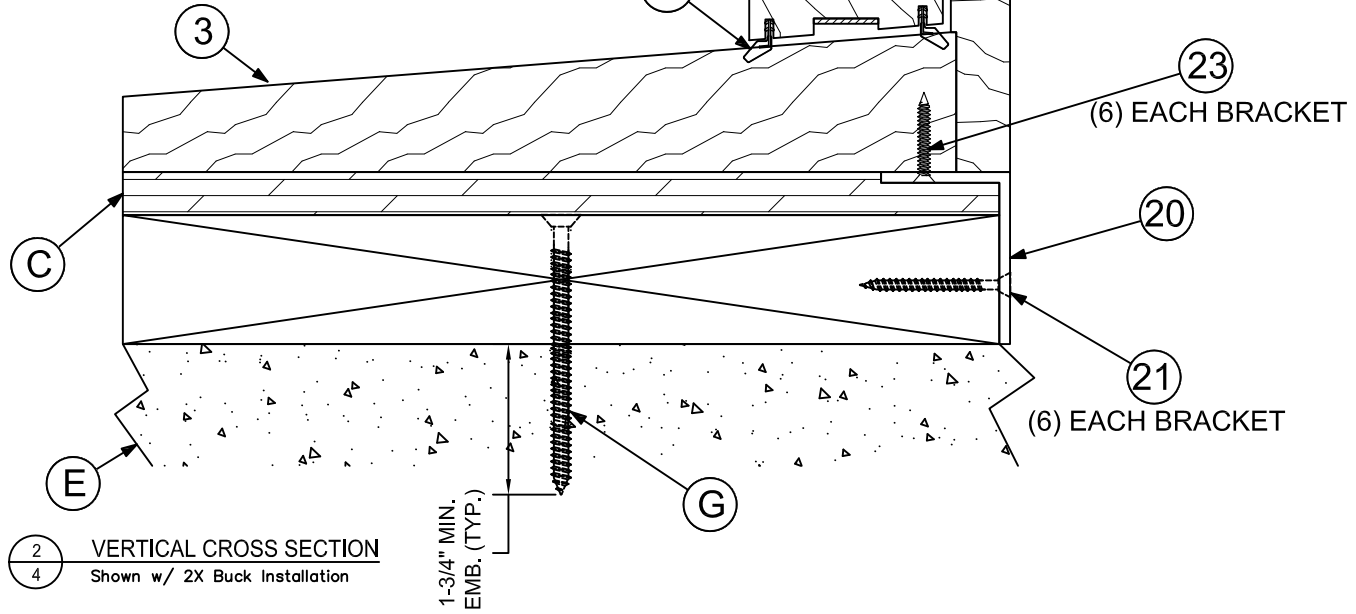
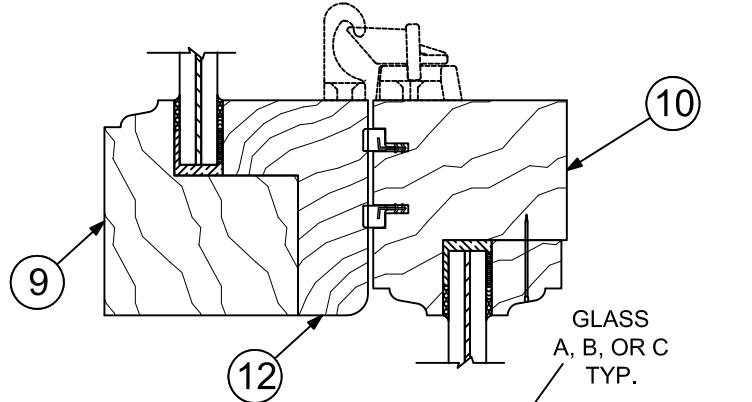
Sheet No.
3 OF 9



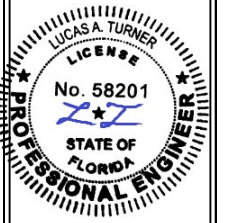
1 VERTICAL CROSS SECTION
4 Shown w/ 2X Buck Installation

NOTE:
1. 1/2" MAX. PLYWOOD OR LOAD-BEARING SHIMS TO FULLY SUPPORT FRAME AT EACH ANCHOR BRACKET (FULL DEPTH OF FRAME, FULL WIDTH OF BRACKET), ATTACH AS NEEDED TO KEEP IN PLACE.

EXTERIOR INTERIOR



2 VERTICAL CROSS SECTION
4 Shown w/ 2X Buck Installation



10/18/2023

TE&C
LUCAS A. TURNER, P.E. FL PE 58201
TURNER ENGINEERING & CONSULTING, INC.
PH. 941-360-1574
2428 OLD NATCHEZ TRACE TRAIL
CAMDEN, TN 38320

OWW LLC
3001 Tunedo Ave., West Palm Beach, Fl. 33405
Ph. 561-478-7233 Fax 561-478-7858

Product: SERIES 4500
TRIPLE TRIPLE HUNG WEIGHT AND CHAIN WINDOW

Date: 04-16-21

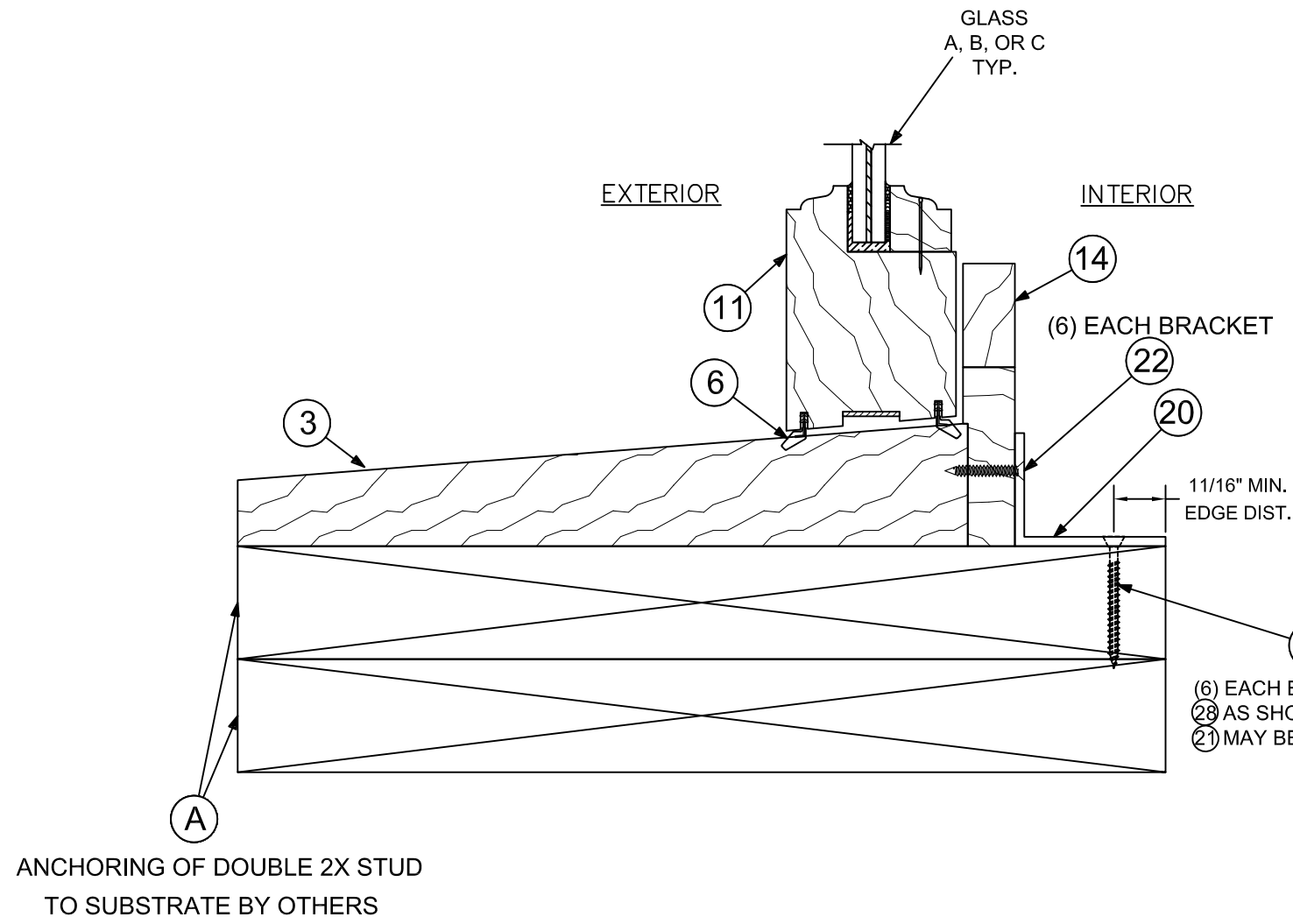
Scale: None

Drawn: JDS

VERTICAL CROSS SECTIONS

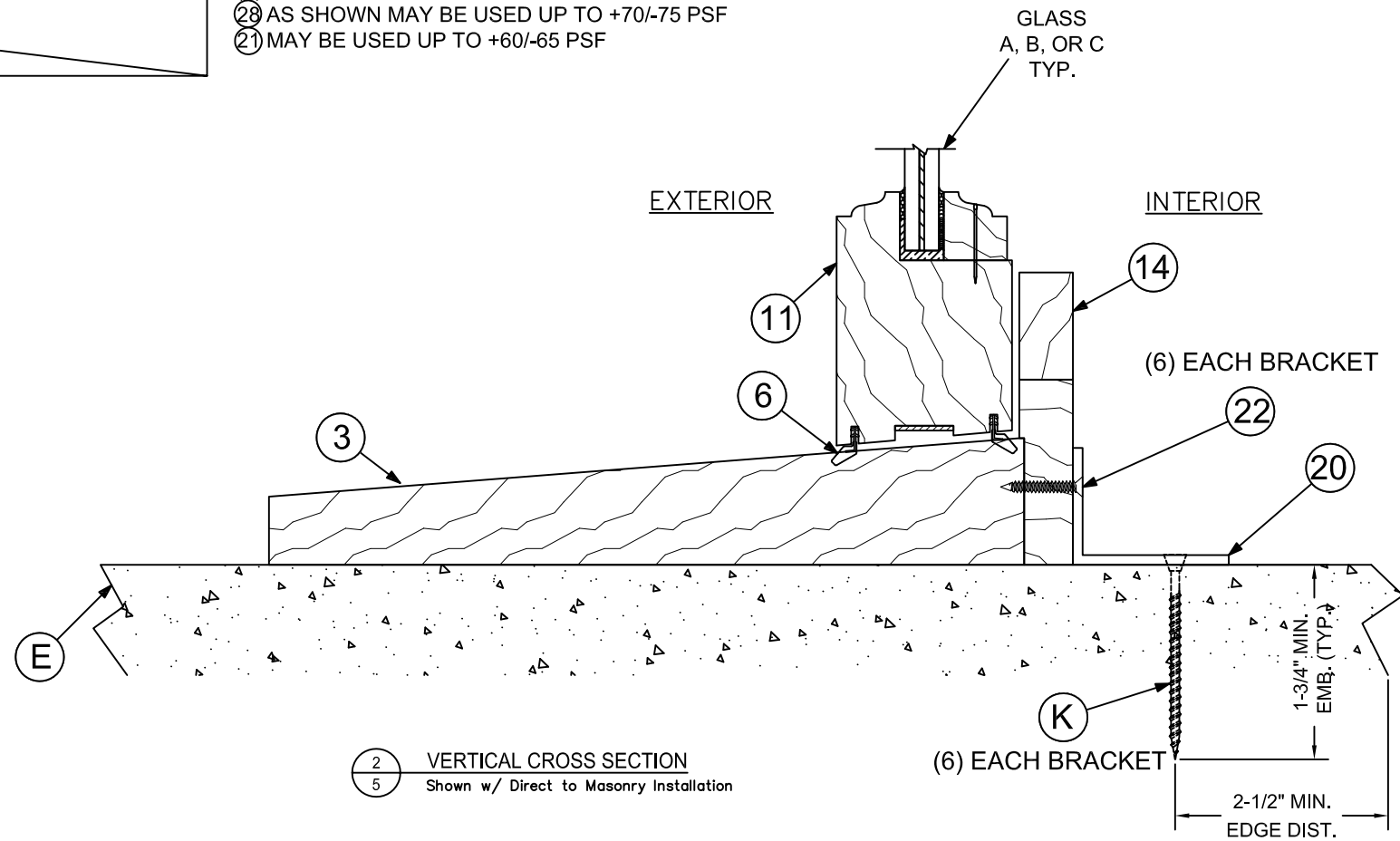
Dwg: TTH-WC
FL34941.7

Sheet No.
4 OF 9

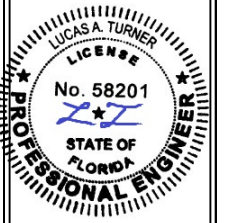


ANCHORING OF DOUBLE 2X STUD
TO SUBSTRATE BY OTHERS

1 VERTICAL CROSS SECTION
5 Shown w/ Double 2X Buck Installation



2 VERTICAL CROSS SECTION
5 Shown w/ Direct to Masonry Installation



10/18/2023

TE&C
LUCAS A. TURNER, P.E. FL PE 58201
TURNER ENGINEERING & CONSULTING, INC.
PH. 941-360-1574
2428 OLD NATCHEZ TRACE TRAIL
CAMDEN, TN 38320

OWW LLC
3001 Tunedo Ave., West Palm Beach, Fl. 33405
Ph. 561-478-7233 Fax 561-478-7858

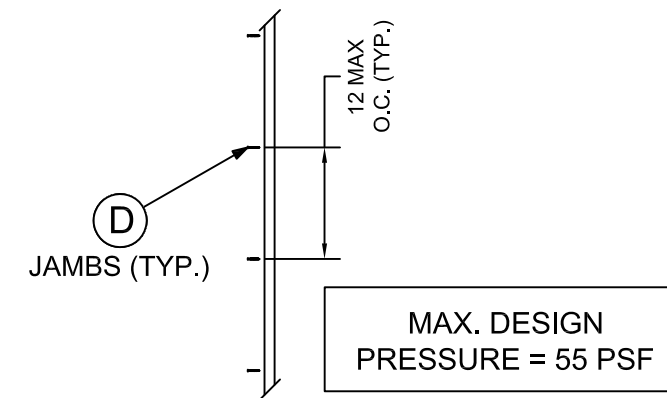
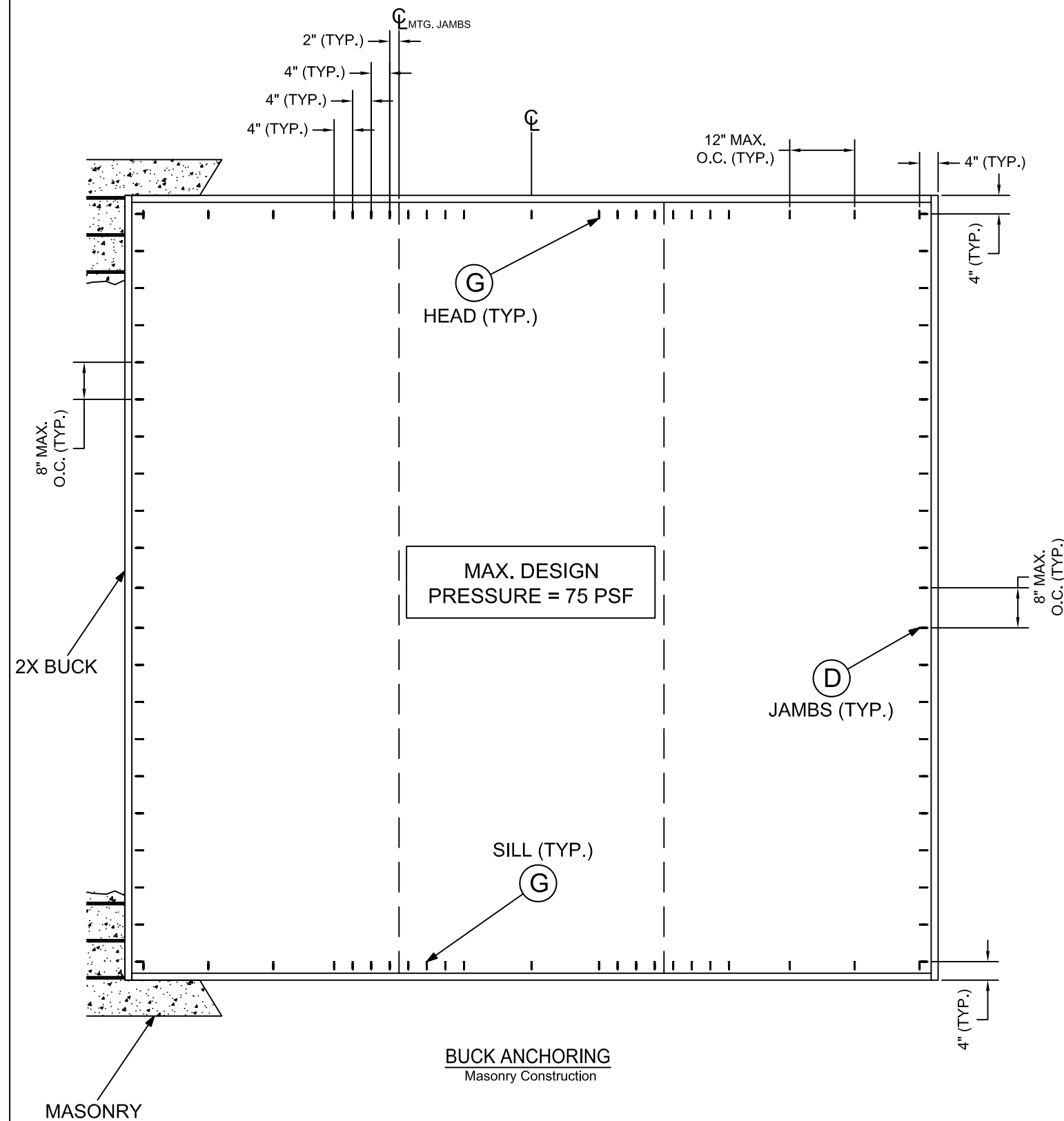
Product: SERIES 4500
TRIPLE TRIPLE HUNG WEIGHT AND CHAIN WINDOW

VERTICAL CROSS SECTIONS

Date: 04-16-21
Scale: None
Drawn: JDS

Dwg: TTH-WC
FL34941.7

Sheet No.
5 OF 9



ALTERNATE BUCK ANCHORING @ JAMBS
(For Design Pressures <= 55 PSF)

MAX. DESIGN PRESSURE = 75 PSF

MAX. DESIGN PRESSURE = 55 PSF

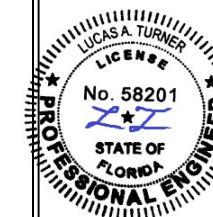
CONCRETE/MASONRY ANCHOR NOTES:

1. Concrete/masonry anchor locations at the corners may be adjusted to maintain the min. edge distance to mortar joints.
2. Anchor locations noted as "MAX. ON CENTER" must be adjusted to maintain the min. edge distance to mortar joints, additional concrete anchors may be required to ensure the "MAX ON CENTER" dimension are not exceeded.
3. Substrates must not be cracked. Head/sill are solid concrete only. Jambs are solid concrete or hollow or filled CMU.
4. Concrete/masonry anchor table:

ANCHOR TYPE	ANCHOR SIZE	MIN. EMBEDMENT	MIN. CLEARANCE TO MASONRY EDGE	MIN. CLEARANCE TO ADJACENT ANCHOR
Ⓓ DEWALT ULTRACON+	1/4"	1-1/4" (JAMBS)	2-1/2"	4"
Ⓖ DEWALT ULTRACON+	1/4"	1-3/4" (HEAD/SILL)	2-1/2"	4"
Ⓚ DEWALT ULTRACON+	1/4"	1-3/4" (HEAD/SILL)	2-1/2"	2"

WOOD SCREW INSTALLATION NOTES:

1. Maintain a minimum 1/2" edge distance, 1" end distance, & 1" o.c. spacing of wood screws to prevent the splitting of wood.



10/18/2023

TE&C
LUCAS A. TURNER, P.E. FL PE 58201
TURNER ENGINEERING & CONSULTING, INC.
PH. 941-360-1574
2428 OLD NATCHEZ TRACE TRAIL
CAMDEN, TN 38320

OWW LLC
3001 Tunedo Ave., West Palm Beach, Fl. 33405
Ph. 561-478-7233 Fax 561-478-7858

Product: SERIES 4500
TRIPLE TRIPLE HUNG WEIGHT AND CHAIN WINDOW

Date: 04-16-21

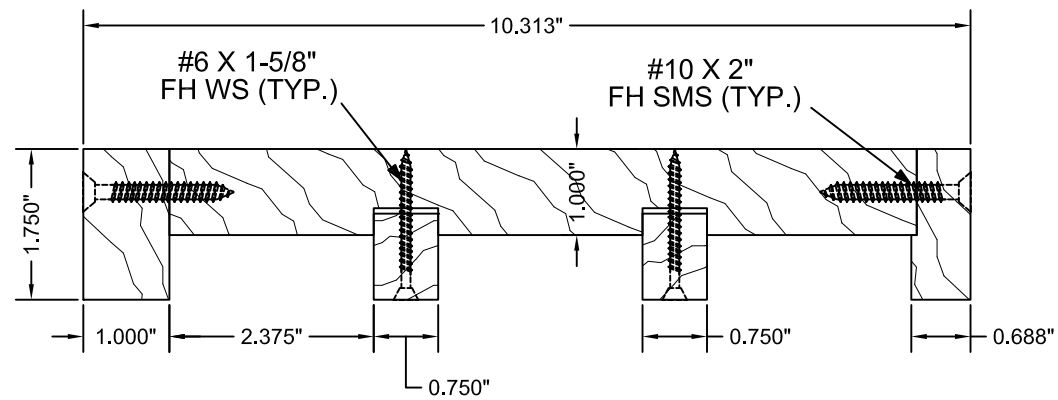
Scale: None

Drawn: JDS

BUCK ANCHORING

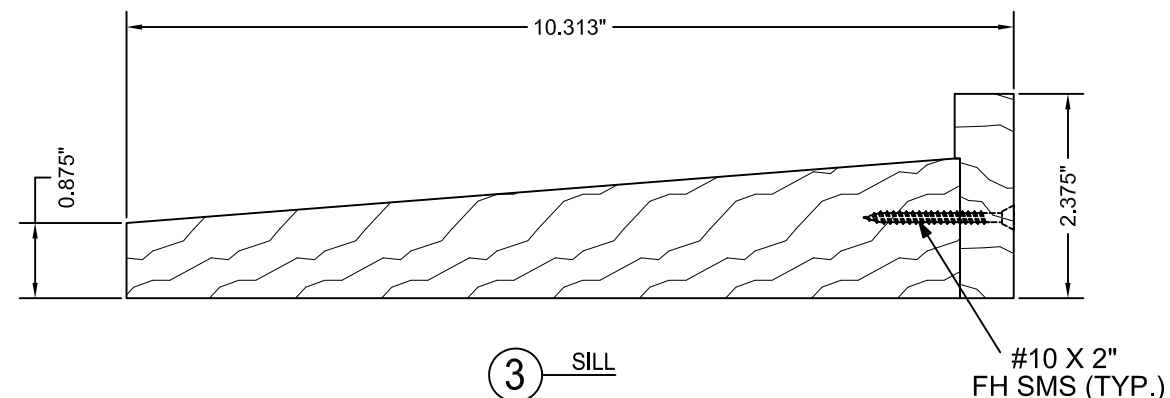
Dwg: TTH-WC
FL34941.7

Sheet No.
6 OF 9



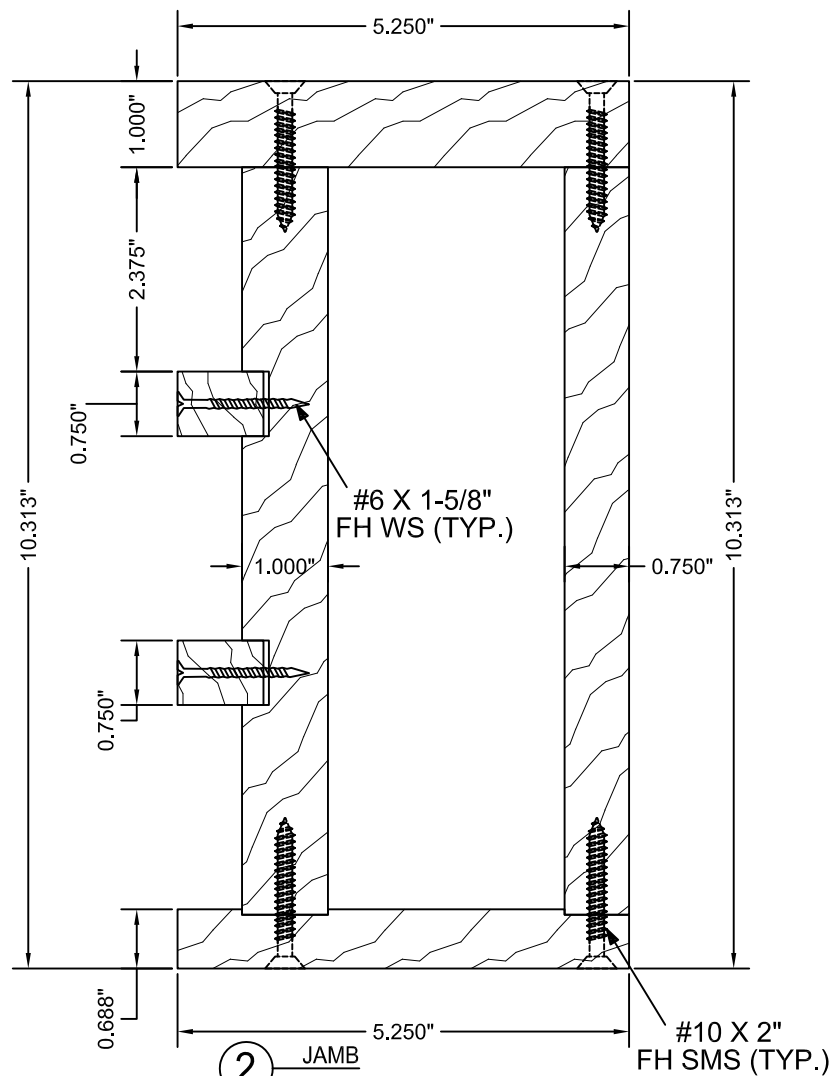
① HEAD

HEAD CONNECTION SCREWS
INSTALLED @ 3" FROM ENDS & 8" O.C.



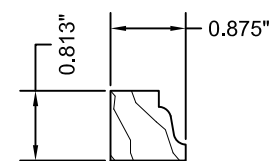
③ SILL

SILL CONNECTION SCREWS
INSTALLED @ 3" FROM ENDS & 8" O.C.

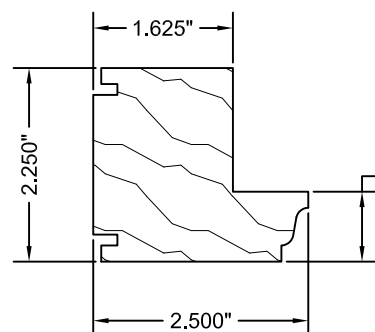


② JAMB

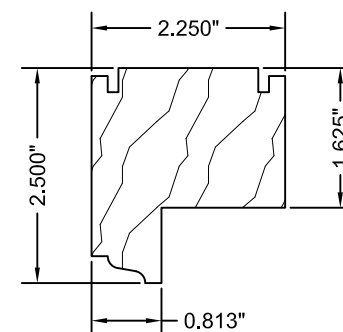
JAMB CONNECTION SCREWS
INSTALLED @ 3" FROM ENDS & 8" O.C.



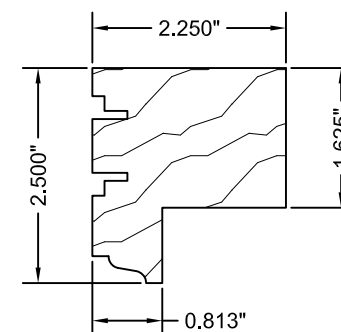
④ GLAZING STOP



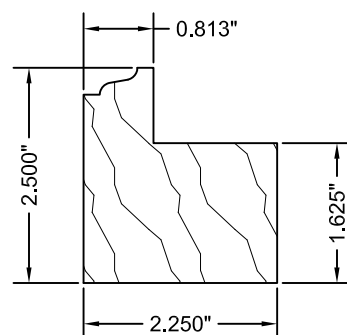
⑤ SASH STILE



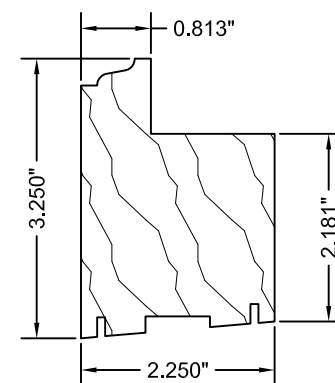
⑧ TOP RAIL
Top Sash



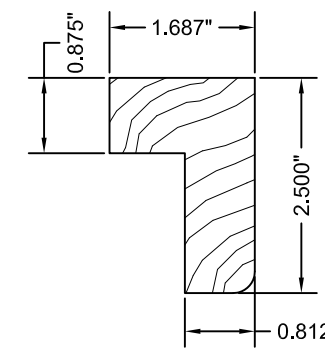
⑨ BOTTOM RAIL
Top Sash



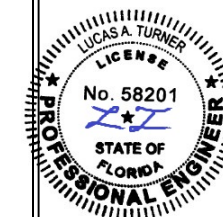
⑩ TOP RAIL
Bottom Sash



⑪ BOTTOM RAIL
Bottom Sash



⑫ MEETING RAIL



10/18/2023

TE&C

LUCAS A. TURNER, P.E. FL PE 58201
TURNER ENGINEERING & CONSULTING, INC.
PH. 941-360-1574
2428 OLD NATCHEZ TRACE TRAIL
CAMDEN, TN 38320

OWW LLC

3001 Tuxedo Ave., West Palm Beach, FL 33405
Ph. 561-478-7233 Fax 561-478-7858

Product: SERIES 4500
TRIPLE TRIPLE HUNG WEIGHT AND CHAIN WINDOW

Date: 04-16-21
Scale: None
Drawn: JDS

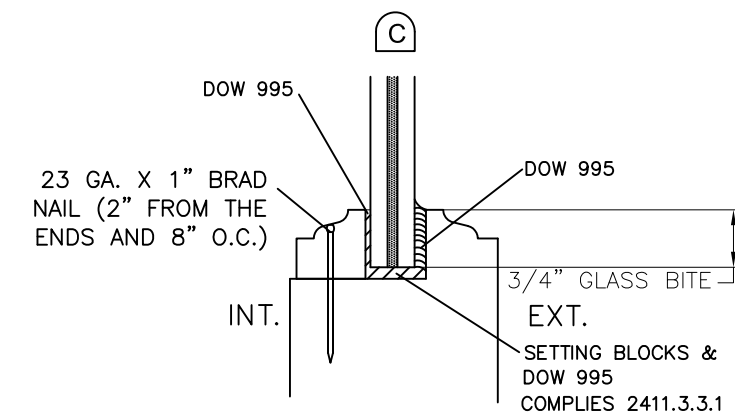
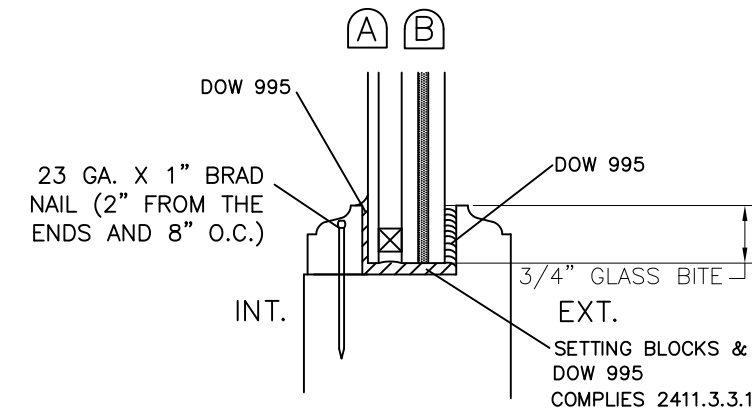
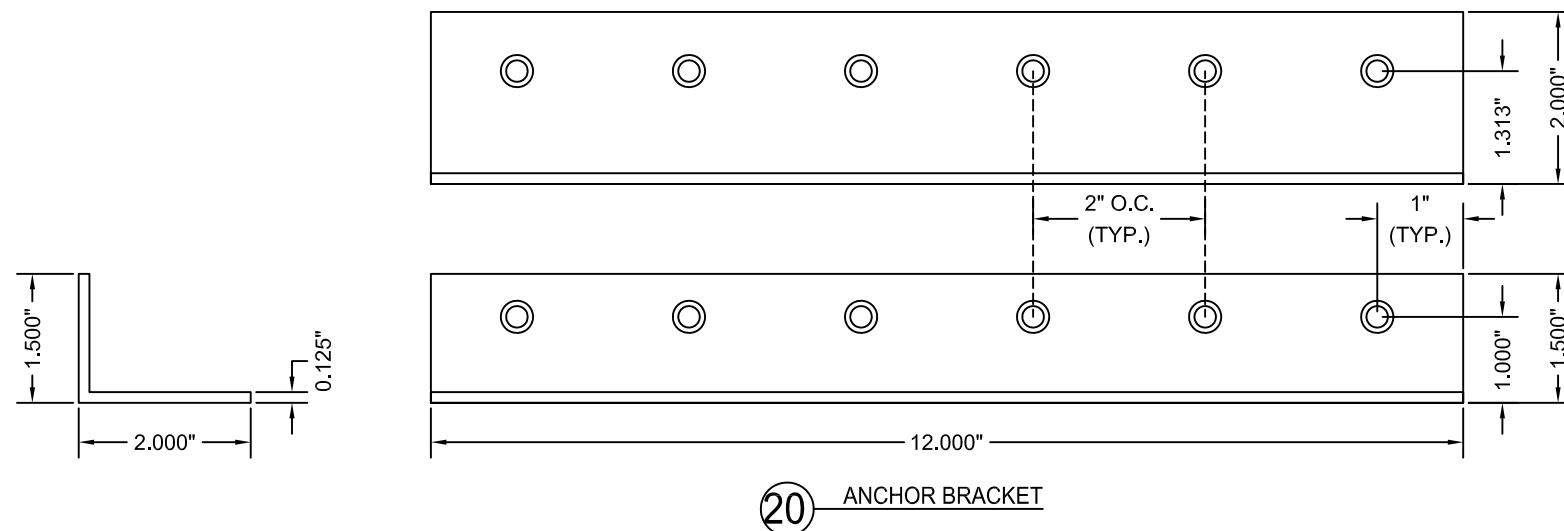
COMPONENTS

Dwg: TTH-WC
FL34941.7

Sheet No.
8 OF 9

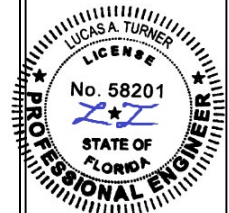
BILL OF MATERIALS		
ITEM #	DESCRIPTION	MATERIAL
A	DOUBLE 2X BUCK (G >= 0.55)	
B	2X BUCK (G>=0.55)	WOOD
C	1/2" MAX.SHIM SPACE	-
D	1/4" X 2-3/4" DEWALT ULTRACON+ PFH	STEEL
E	MASONRY - 3,000 PSI MIN. CONCRETE CONFORMING TO ACI 301 OR HOLLOW BLOCK CONFORMING TO ASTM C90	CONCRETE
G	1/4" X 3-1/4" DEWALT ULTRACON+ PFH	STEEL
K	1/4" X 2-1/4" DEWALT ULTRACON+ PFH	STEEL
1	HEAD	WOOD
2	JAMB	WOOD
3	SILL	WOOD
4	GLAZING STOP	WOOD
5	SASH STILE	WOOD
6	WEATHERSTRIP QEZD250 BY SCHLEGEL	FOAM
7	WEATHERSTRIP QEZD260 BY SCHLEGEL	FOAM
8	TOP RAIL (TOP SASH)	WOOD
9	BOTTOM RAIL (TOP SASH)	WOOD
10	TOP RAIL (BOTTOM SASH)	WOOD
11	BOTTOM RAIL (BOTTOM SASH)	WOOD
12	MEETING RAIL	WOOD
14	SILL EXTENDER	WOOD
15	SASH COUNTERWEIGHT (53 LBS.)	STEEL
16	PHELPS LOCK	-
20	ANCHOR BRACKET (12" LONG)	ALUMINUM
21	#8 X 2" SPAX® SCREWS (1-7/8" MIN. EMBEDMENT)	STAINLESS STEEL
22	#8 X 1-1/2" FH SMS	STEEL
23	#8 X 1" FH SMS	STEEL
25	ANCHOR CLIP (Simpson Strong-Tie A23Z)	STEEL
26	#10 X 1-1/4" PH SMS (1-3/16" MIN. EMBEDMENT)	STEEL
27	#10 X 3/4" PH SMS	STEEL
28	#10 X 2" SPAX® SCREWS (1-7/8" MIN. EMBEDMENT)	STAINLESS STEEL

NOTE: ALL WINDOW FRAME WOOD IS SG=0.55 MIN. (SAPELE OR SIMILAR)



GLASS TYPES AND STRUCTURE

- A** 15/16" (NOM.) LAMINATED INSULATING GLASS
3/16" ANNEALED OR TEMPERED INT. LITE /
1/4" AIR SPACE WITH ALUMINUM SPACER /
3/16" ANNEALED
.090" INTERLAYER: SAFLEX HP BY
EASTMAN CHEMICAL COMPANY /
3/16" ANNEALED
- B** 15/16" (NOM.) LAMINATED INSULATING GLASS
3/16" ANNEALED OR TEMPERED INT. LITE /
1/4" AIR SPACE WITH ALUMINUM SPACER /
3/16" ANNEALED
.090" INTERLAYER: SENTRYGLAS BY KURARAY /
3/16" ANNEALED
- C** 7/16" (NOM.) STORM GLASS
3/16" ANNEALED /
.075" INTERLAYER: SAFLEX CP BY
EASTMAN CHEMICAL COMPANY /
3/16" ANNEALED



10/18/2023

TE&C
LUCAS A. TURNER, P.E. FL PE 58201
TURNER ENGINEERING & CONSULTING, INC.
PH. 941-360-1574
2428 OLD NATCHEZ TRACE TRAIL
CAMDEN, TN 38320

OWW LLC
3001 Tuxedo Ave., West Palm Beach, Fl. 33405
Ph. 561-478-7233 Fax 561-478-7858

Product: SERIES 4500
TRIPLE TRIPLE HUNG WEIGHT AND CHAIN WINDOW
Date: 04-16-21
Scale: None
Drawn: JDS

BILL OF MATERIALS, GLAZING
DETAILS & COMPONENTS

Dwg: TTH-WC
FL34941.7

Sheet No.
9 OF 9