

# OLIVERI LIFT AND SLIDE MAHOGANY WOOD DOORS, LARGE AND SMALL MISSILE IMPACT BY OWW LLC

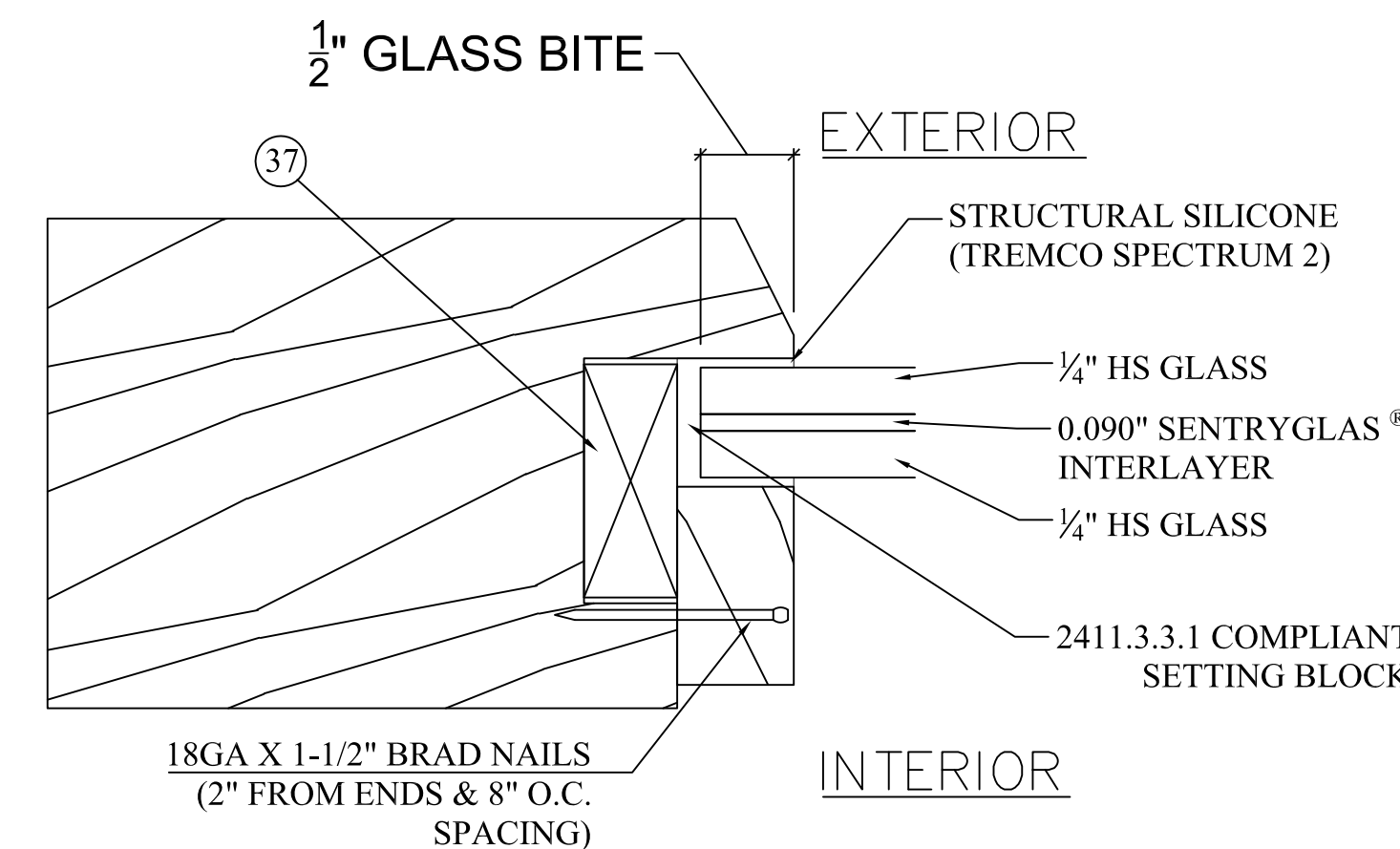
DESIGN PRESSURE = + 55.0 PSF, - 60.0 PSF

### GENERAL NOTES

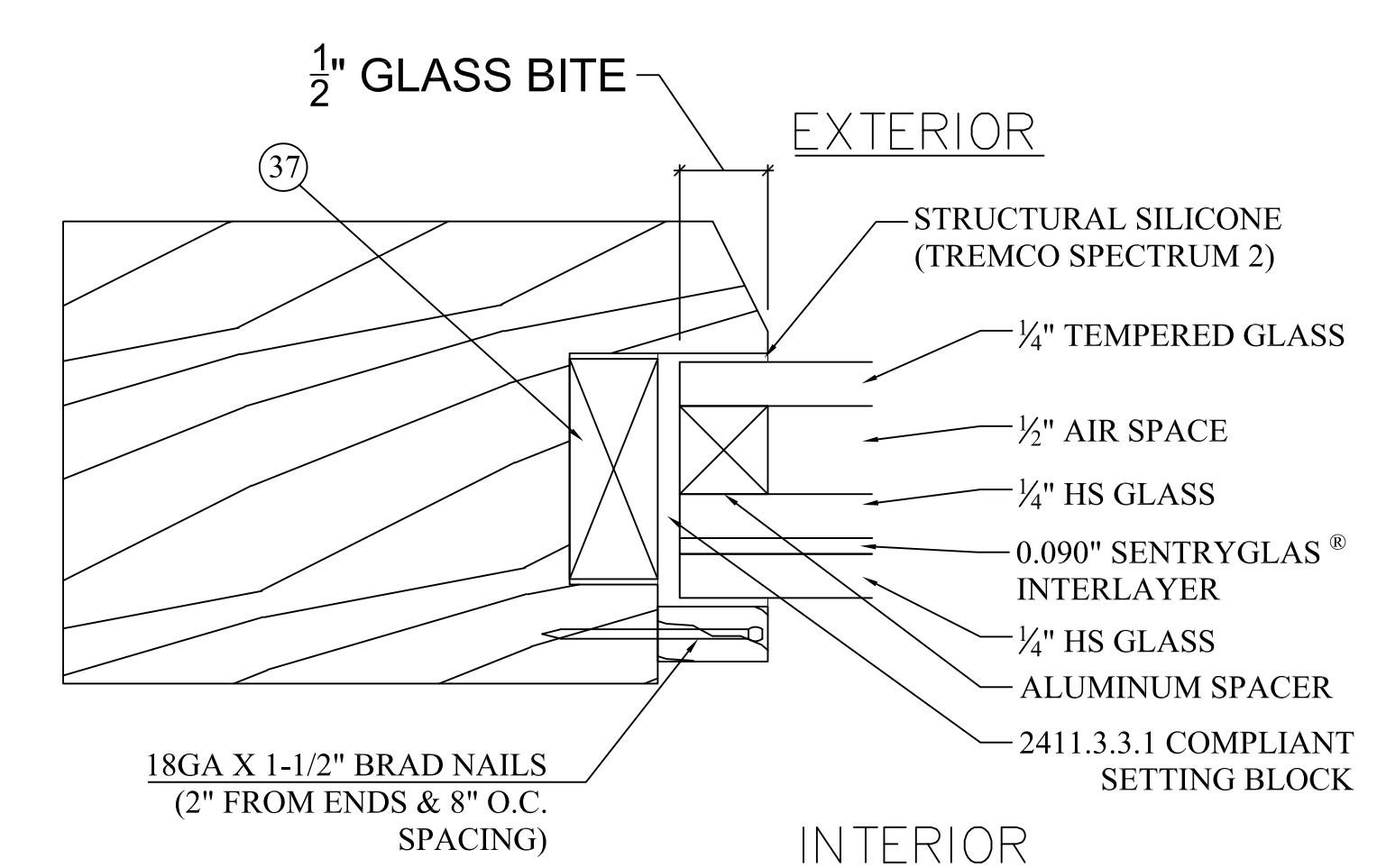
1. THESE DOORS, FABRICATED AND ANCHORED AS DETAILED IN THIS DRAWING, ARE LARGE MISSILE IMPACT RESISTANT AND DO NOT REQUIRE THE USE OF IMPACT PROTECTIVE DEVICES (SHUTTERS) IN WINDBORNE DEBRIS REGIONS.
2. THIS PRODUCT HAS BEEN TESTED TO TAS 201/202/203-94, AND MEETS THE REQUIREMENTS OF THE FLORIDA BUILDING CODE, CURRENT EDITION, INCLUDING THE HIGH VELOCITY HURRICANE ZONE.
3. ALLOWABLE CONFIGURATIONS ARE AS INDICATED HEREIN. SUBJECT TO PANEL AND DAYLIGHT OPENING (D.O.) SIZE LIMITATIONS AS INDICATED, UNLIMITED PANELS MAY BE USED IN A SINGLE OPENING OUTSIDE THE HVHZ, AND UP TO 9 PANELS MAY BE USED IN A SINGLE OPENING IN THE HVHZ, PROVIDED THAT ALL RESTRICTIONS PER THESE DRAWINGS ARE MET AND THE OPENING IS PROPERLY DESIGNED BY OTHERS TO ACCEPT AND TRANSFER THE LOADS IMPOSED BY THE DOORS. EXAMPLE CONFIGURATIONS ARE SHOWN BUT NOT LIMITED TO THOSE ON SHEETS D2 AND D3.
4. THE DESIGN PRESSURE RATINGS OF +55/-60 PSF ARE AS LIMITED BY ASTM E-1300 GLASS TABLES FOR GLAZED PRODUCT, AND TESTED WATER, STRUCTURAL, AND CYCLIC PRESSURES.
5. THE 4/3 ALLOWABLE STRESS INCREASE FACTOR (SHORT-TERM INCREASE FACTOR) HAS NOT BEEN USED IN THE ANCHOR ANALYSIS FOR THIS SYSTEM. THE 1.6 Cd FACTOR WAS USED IN THE ANALYSIS OF ANCHORAGE INTO WOOD SUBSTRATE.
6. INSTALLATION OF WOOD BUCKS TO THE SUBSTRATE TO BE ENGINEERED BY OTHERS OR AS APPROVED BY THE AUTHORITY HAVING JURISDICTION (A.H.J.). BUCKING, OPENINGS, & BUCKING FASTENERS MUST BE PROPERLY DESIGNED & INSTALLED BY OTHERS IN ACCORDANCE WITH THE FBC TO TRANSFER SUPERIMPOSED LOADS TO THE STRUCTURE. ADEQUACY OF THE STRUCTURE TO RECEIVE THESE LOADS SHALL BE VERIFIED BY THE CONTRACTOR, ARCHITECT OR ENGINEER OF RECORD, OR A.H.J. WHEN INSTALLING INTO CONCRETE (OR MASONRY AT JAMBS ONLY) WITH WOOD BUCKS LESS THAN 1-1/2" THICK, ANCHOR EMBEDMENT SHALL BE INTO CONCRETE (OR MASONRY AT JAMBS ONLY). WHEN INSTALLING INTO WOOD BUCKS 1-1/2" OR THICKER OVER CONCRETE (OR MASONRY AT JAMBS ONLY), ANCHOR EMBEDMENT SHALL BE INTO THE WOOD.
7. DISSIMILAR MATERIALS THAT COME INTO CONTACT SHALL BE COATED OR OTHERWISE PROTECTED TO PREVENT GALVANIC REACTIONS. WOOD BUCKS, IF USED, SHALL BE PRESSURE TREATED, WITH EITHER A TREATMENT OR COATING COMPATIBLE WITH THIS PRODUCT. ALL ANCHORS USED SHALL BE OF A MATERIAL OR HAVE A COATING COMPATIBLE WITH THE PRESSURE TREATED WOOD BUCKS AND ALL OTHER WINDOW MATERIALS.
8. ALL HARDWARE & FASTENERS SHALL BE IN ACCORDANCE WITH THESE DRAWINGS, OR AS APPROVED, SIGNED, AND SEALED BY A FLORIDA-REGISTERED PROFESSIONAL ENGINEER ON A SITE-SPECIFIC BASIS.
9. SEALING AND FLASHING STRATEGIES FOR OVERALL WATER INFILTRATION RESISTANCE OF THE INSTALLED PRODUCT SHALL BE THE RESPONSIBILITY OF OTHERS AND IS NOT ADDRESSED BY THIS DOCUMENT.
10. FOR PRODUCT ATTACHMENT TO THE OPENING SUBSTRATE, NO TWO INSTALLATION ANCHORS MAY BE CLOSER THAN 3" ON CENTER UNLESS OTHERWISE NOTED. INSTALLATION ANCHORS AS INDICATED IN TABLE 1 SHALL BE INSTALLED IN ACCORDANCE WITH ANCHOR MANUFACTURER'S INSTRUCTIONS WITH MINIMUM SUBSTRATE STRENGTH AS SHOWN IN TABLE 1.

MAXIMUM DOOR FRAME HEIGHT	MAXIMUM LEAF SIZE	MAXIMUM DLO SIZE
126-1/16"	67-7/8" WIDE x 119" HIGH	59-7/8" WIDE x 109" HIGH

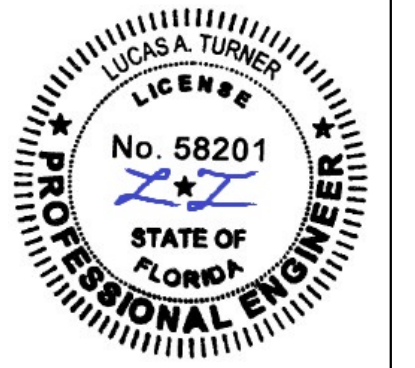
ANCHOR	SUBSTRATE	MIN. EMBEDMENT	MIN. EDGE DISTANCE
1/4" DEWALT ULTRACON+	SOLID UNCRACKED CONCRETE (3.05 KSI MIN.)	1 3/8"	2 1/2"
	HOLLOW OR GROUT-FILLED CMU (ASTM C-90)	1 1/4"	2 1/2"
1/4" HILTI KWIK-CON+	CONCRETE (3000 PSI MIN)	1"	2 1/2"
	HOLLOW OR GROUT-FILLED CMU (ASTM C-90) (JAMBS ONLY)	1"	2 1/2"
#12 GRADE 5 WOOD SCREW	2x MIN. SOUTHERN PINE WOOD (G=0.55 MIN)	1 1/2"	1"
#14 ITW TEKS SELF-DRILLING SCREW	16 GAUGE (0.060") MIN. STEEL STUD (33 KSI YIELD MIN.) OR 1/8" MIN. ALUMINUM (6063-T5 MIN.)	FULL + 3 THREADS	1/2"



**G1** GLAZING DETAILS - 9/16" LAMINATED GLASS  
D1 1'-0" = 1'-0"



**G2** GLAZING DETAILS - 1 3/8" INSULATED GLASS  
D1 1'-0" = 1'-0"



10/18/2023

TE&C  
LUCAS A. TURNER, P.E., FL PE 58201  
TURNER ENGINEERING & CONSULTING, INC.  
PH. 941-380-1574  
2428 OLD NATCHEZ TRACE TRAIL  
CAMDEN, TN 38320

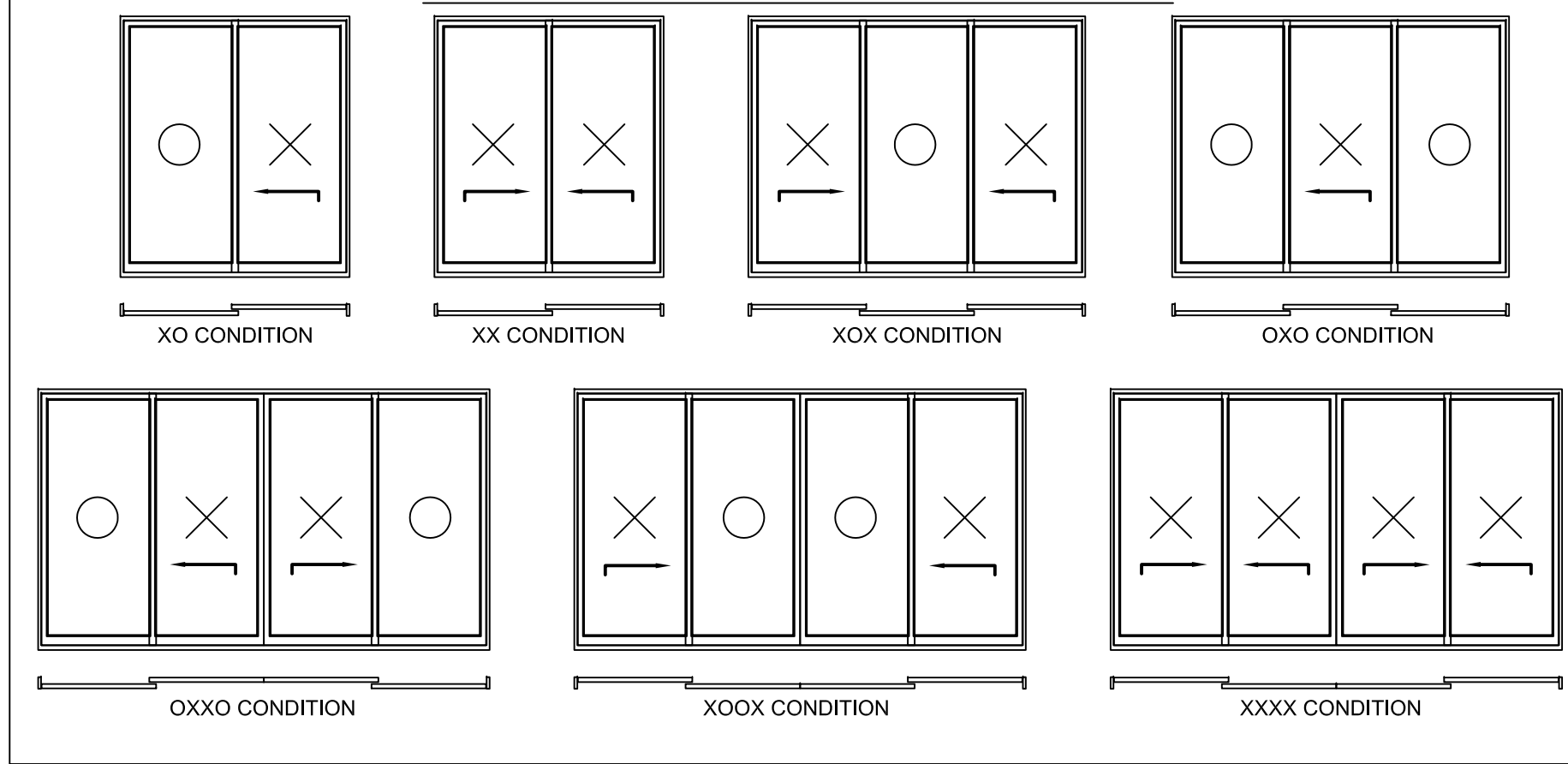
OLIVERI LIFT AND SLIDE  
MAHOGANY WOOD DOORS  
LARGE MISSILE IMPACT

**OLIVERI MILLWORKS**  
Telephone: 561-478-7233  
Facsimile: 561-478-7858  
3001 Tuxedo Avenue  
West Palm Beach, FL 33405  
Webpage: www.oliveriwindowsanddoors.com

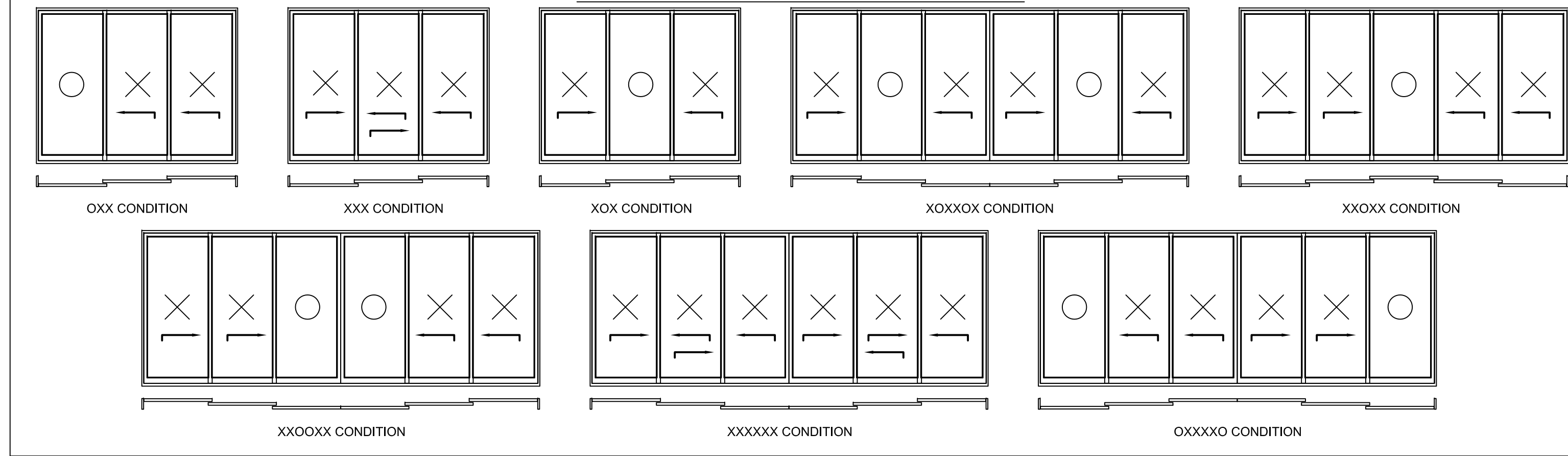
Scale	NTS
Date	12/20/21
Drawn	JDS/LAT
Dwg.	LIFTSLIDE-LM
Revision	0
Sheet No.	D1

CONFIGURATIONS WITHOUT POCKETS

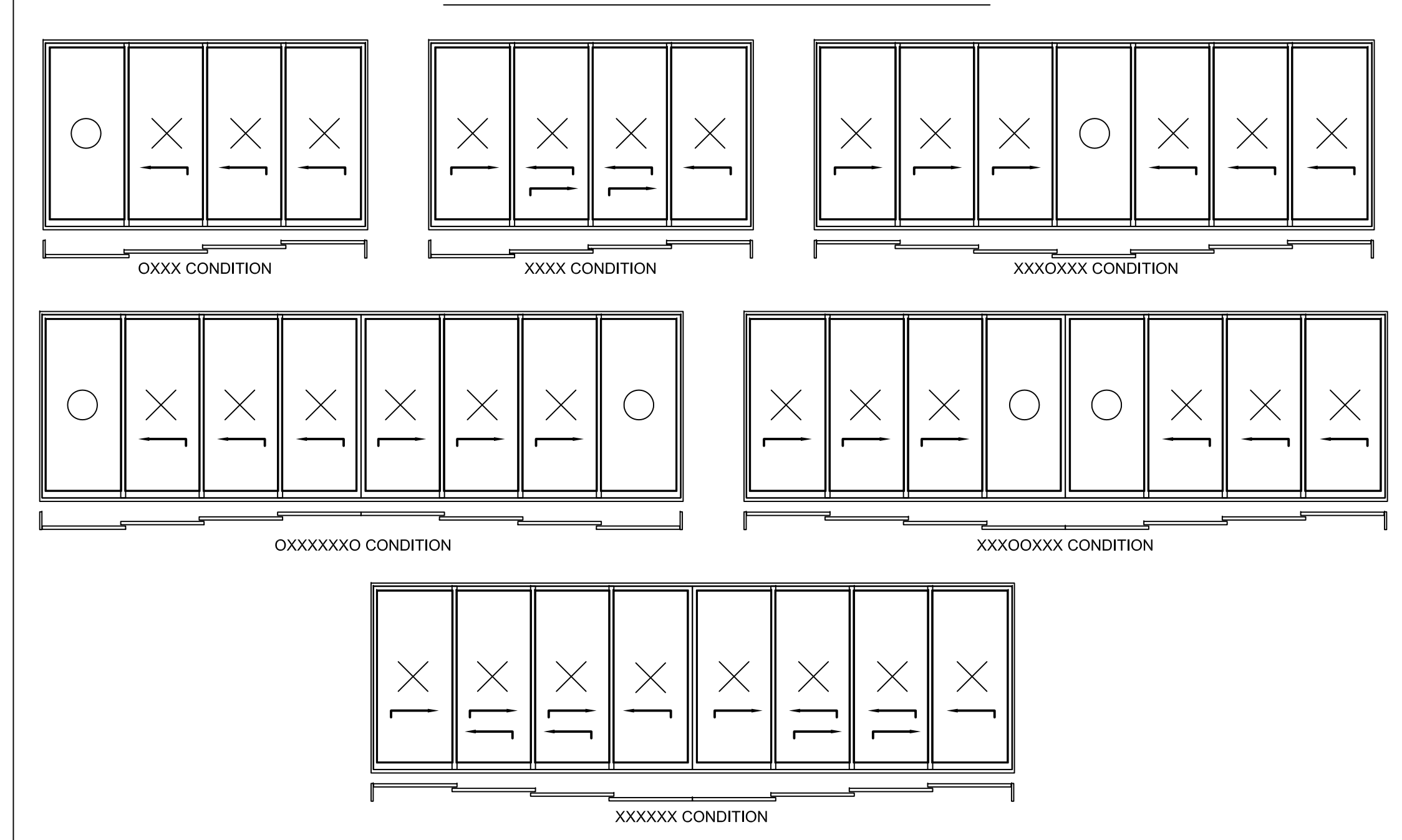
2-PANEL DEEP CONFIGURATIONS



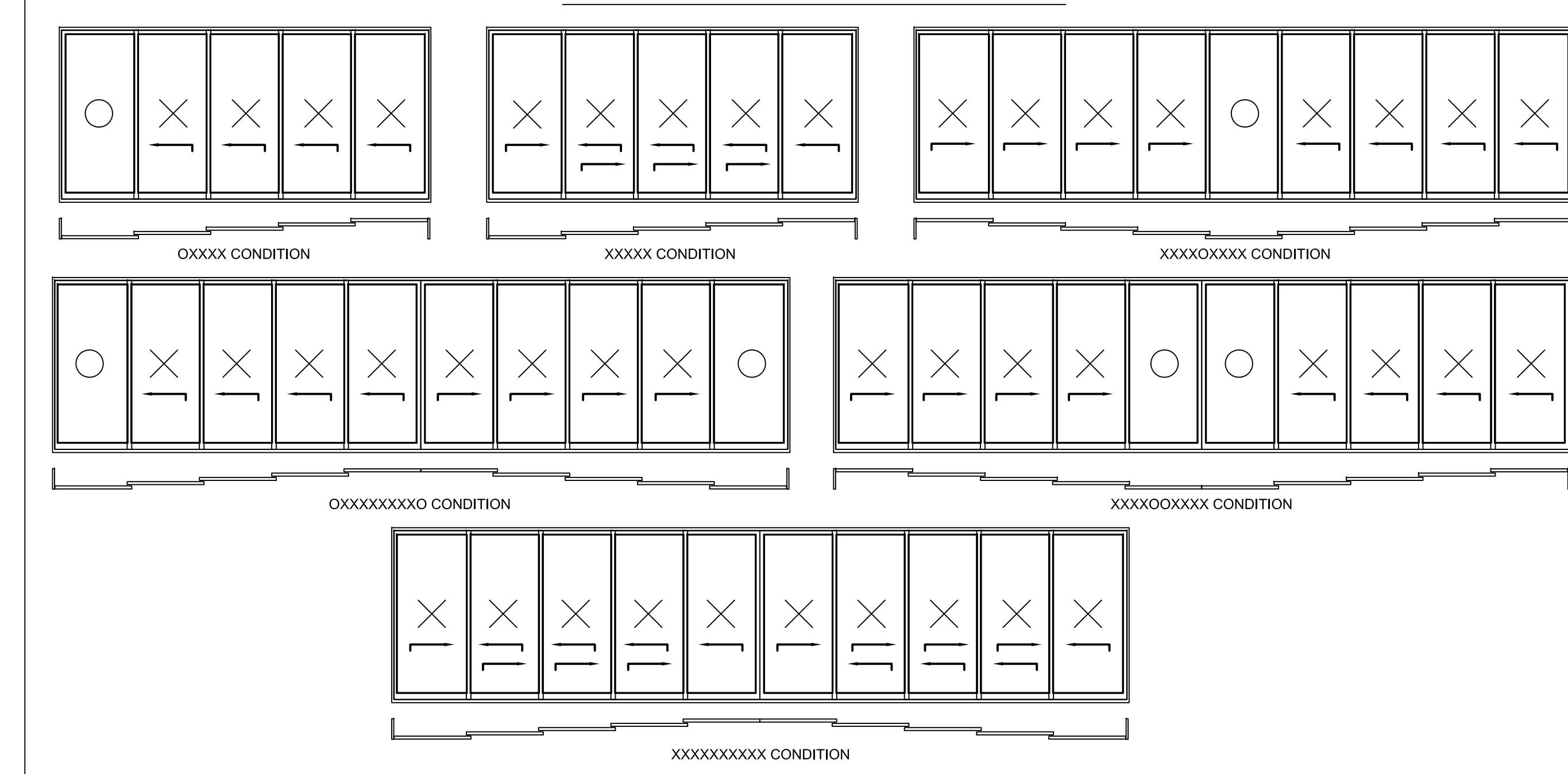
3-PANEL DEEP CONFIGURATIONS



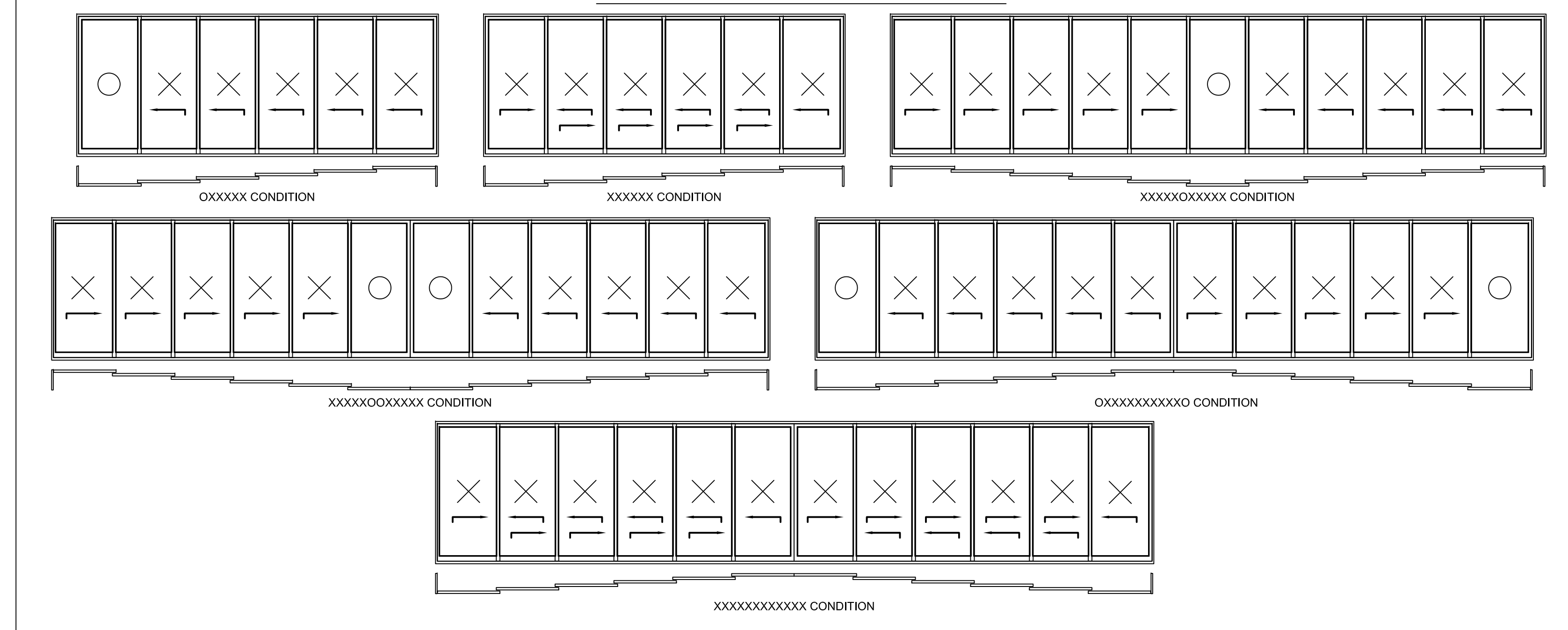
4-PANEL DEEP CONFIGURATIONS



5-PANEL DEEP CONFIGURATIONS



6-PANEL DEEP CONFIGURATIONS



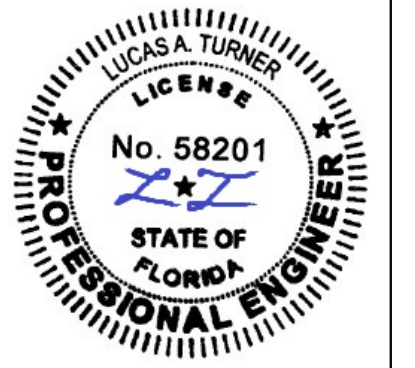
GENERAL CONFIGURATION NOTES:

-CONFIGURATIONS WITH UP TO 6 PANELS HAVE BEEN SHOWN BUT ANY NUMBER OF PANELS CAN BE USED WHEN USING A FASTRACK SYSTEM

-SIEGENIA LIFT AND SLIDE UNITS CAN BE MADE UP TO 3 PANELS DEEP

-PANEL CONFIGURATIONS OVER 9 PANELS CAN BE USED IN NON-HVHZ AREAS ONLY

-OTHER "O" AND "X" CONFIGURATIONS APPLY PROVIDING THEY ARE WITHIN THE SCOPE OF THE DETAILS OF THIS DRAWING



10/18/2023

TE&C  
LUCAS A. TURNER, P.E., FL PE 58201  
TURNER ENGINEERING & CONSULTING, INC.  
PH. 941-380-1574  
2428 OLD NATCHEZ TRACE TRAIL  
CAMDEN, TN 38320

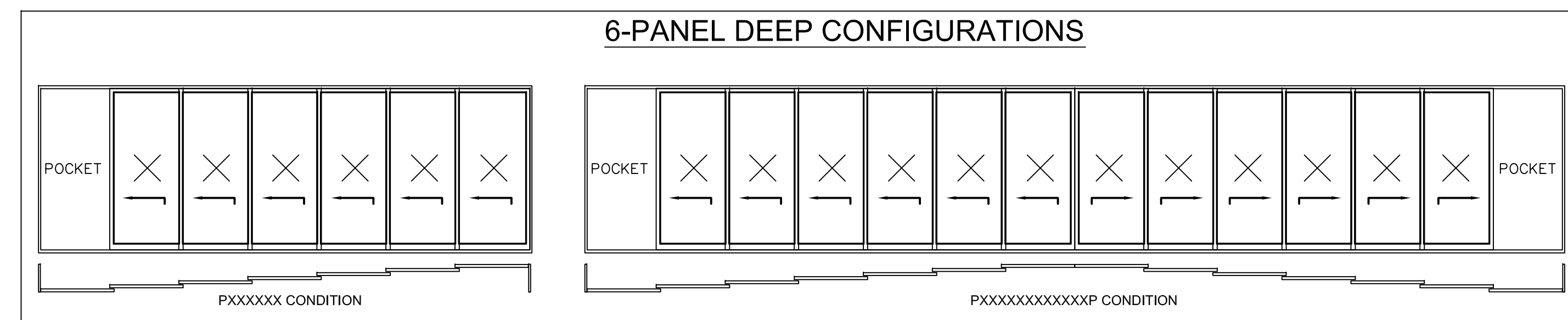
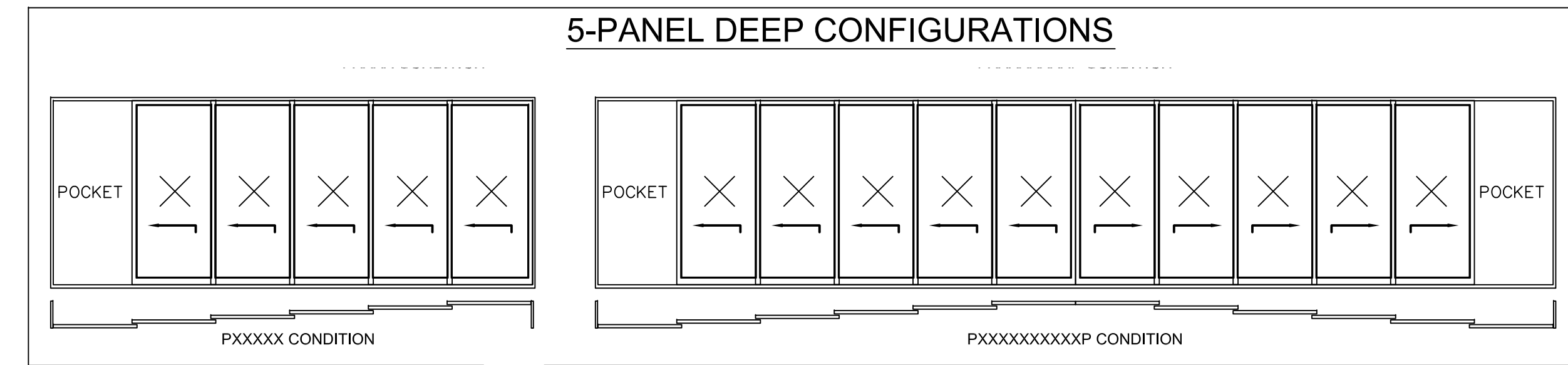
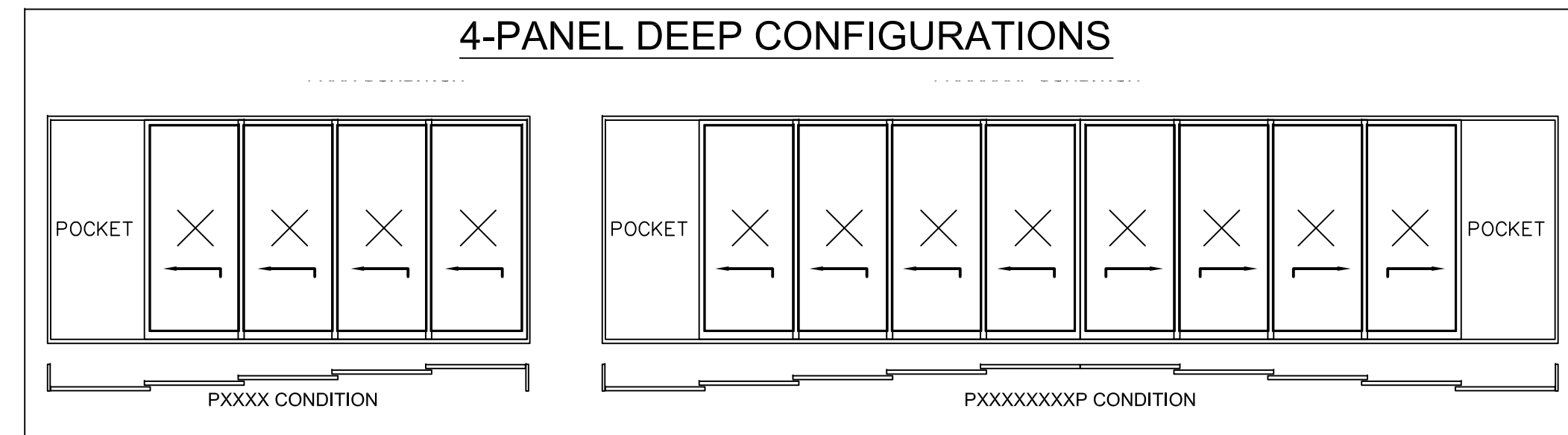
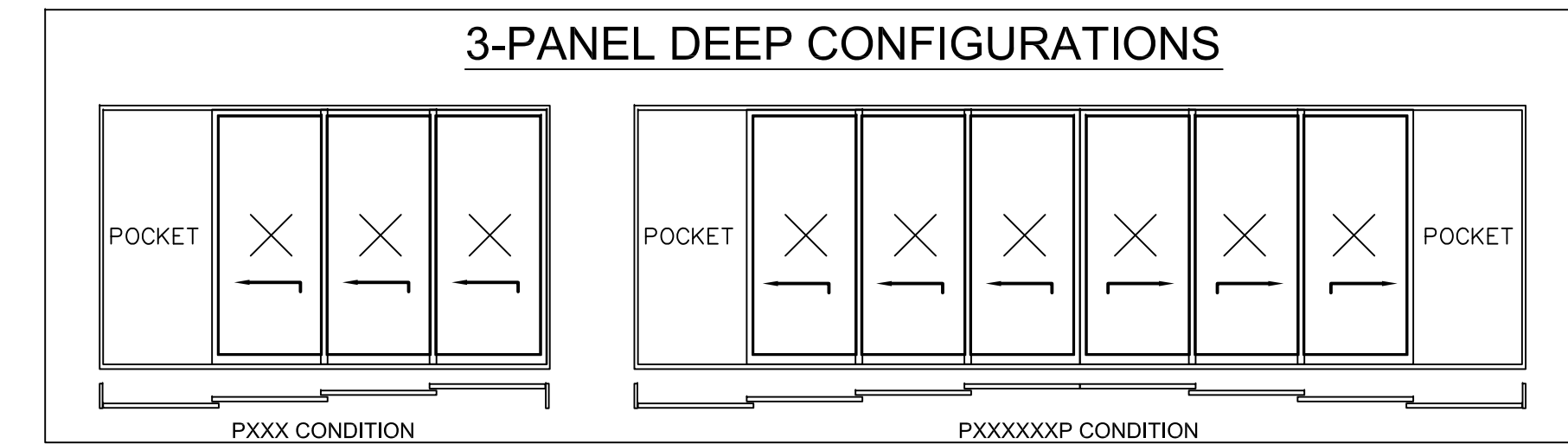
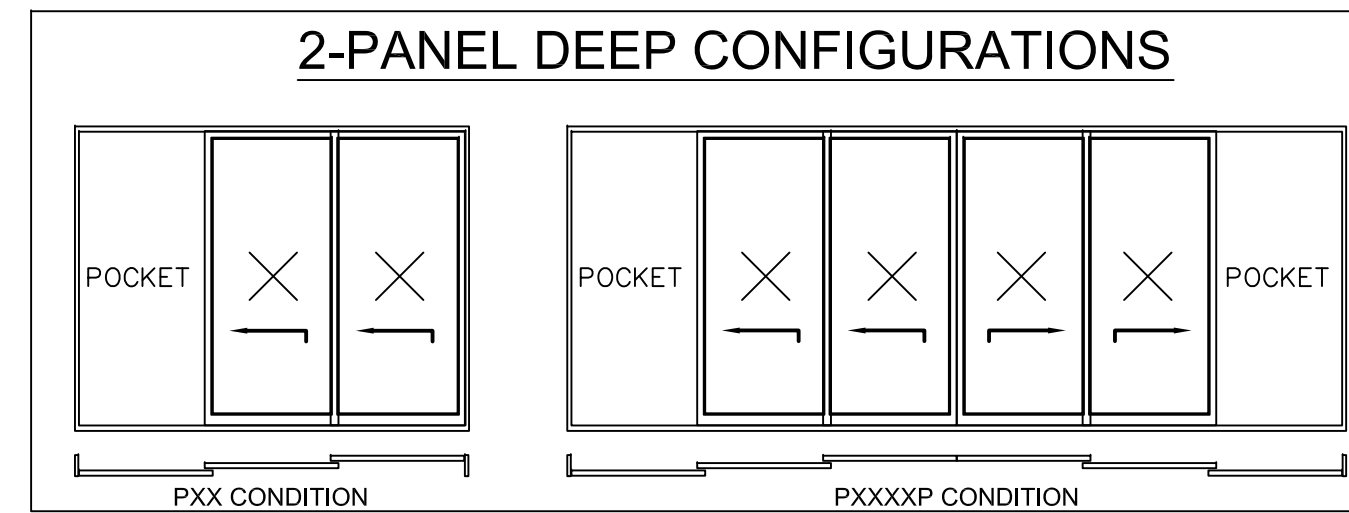
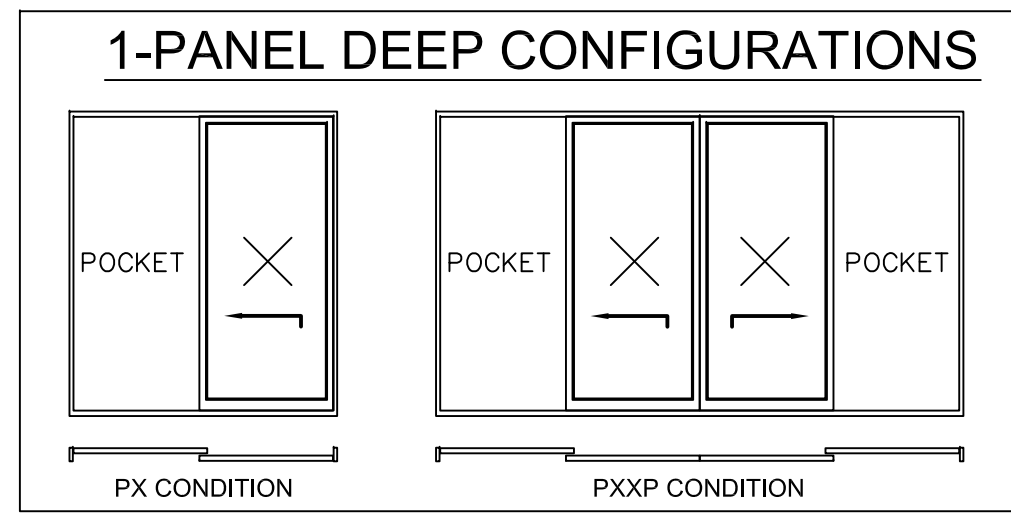
OLIVERI LIFT AND SLIDE  
MAHOAGANY WOOD DOORS  
LARGE MISSILE IMPACT

OLIVERI MILLWORKS  
Telephone: 561-478-7233  
Facsimile: 561-478-7858  
3001 Tuxedo Avenue  
West Palm Beach, FL 33405  
Webpage: www.oliveriwindowsanddoors.com

Scale	NTS
Date	12/20/21
Drawn	JDS/LAT
Dwg.	LIFTSLIDE-LM
Revision	0
Sheet No.	D2



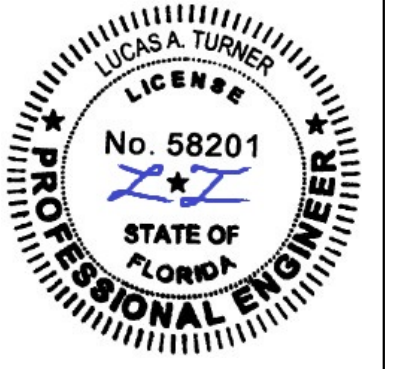
CONFIGURATIONS WITH POCKETS



**GENERAL CONFIGURATION NOTES:**

-PANEL CONFIGURATIONS OVER 9 PANELS CAN BE USED IN NON-HVHZ AREAS ONLY

-POCKETS CAN NOT BE ADDED TO SIEGENIA SYSTEMS



10/18/2023

TE&C  
 LUCAS A. TURNER, P.E., FL PE 58201  
 TURNER ENGINEERING & CONSULTING, INC.  
 PH. 941-380-1574  
 2428 OLD NACHEZ TRACE TRAIL  
 CAMDEN, TN 38320

OLIVERI LIFT AND SLIDE  
 MAHOGANY WOOD DOORS  
 LARGE MISSILE IMPACT

**OLIVERI MILLWORKS**  
 Telephone: 561-478-7233  
 Facsimile: 561-478-7858  
 3001 Tuxedo Avenue  
 West Palm Beach, FL 33405  
 Webpage: www.oliveriwindowsanddoors.com

Scale	NTS
Date	12/20/21
Drawn	JDS/LAT
Dwg.	LIFTSLIDE-LM
Revision	0
Sheet No.	D3



10/18/2023

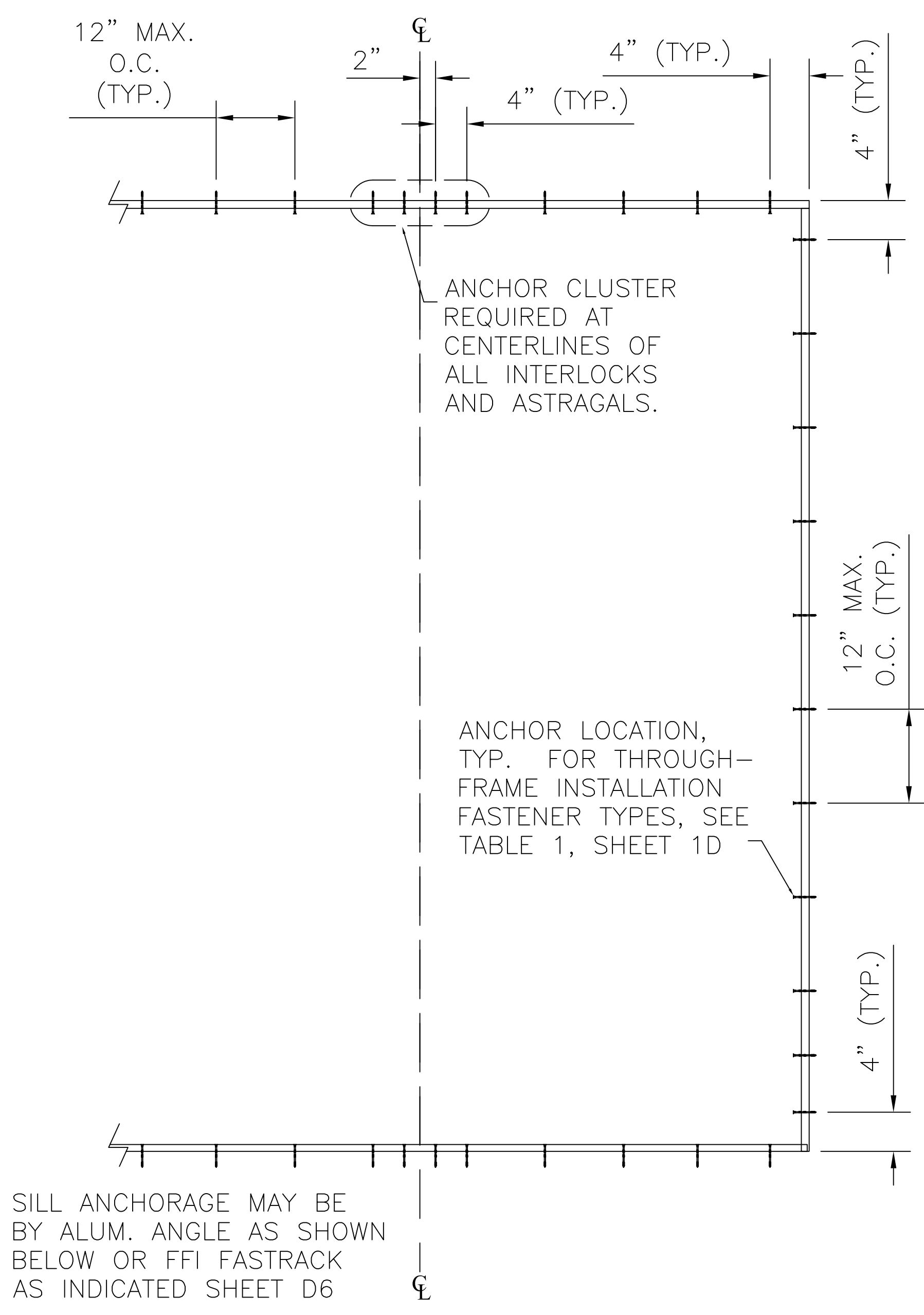
TE&C  
 LUCAS A. TURNER, P.E. FL PE 58201  
 TURNER ENGINEERING & CONSULTING, INC.  
 PH. 941-380-1574  
 2428 OLD NATCHEZ TRACE TRAIL  
 CAMDEN, TN 38320

OLIVERI LIFT AND SLIDE  
 MAHOGANY WOOD DOORS  
 LARGE MISSILE IMPACT

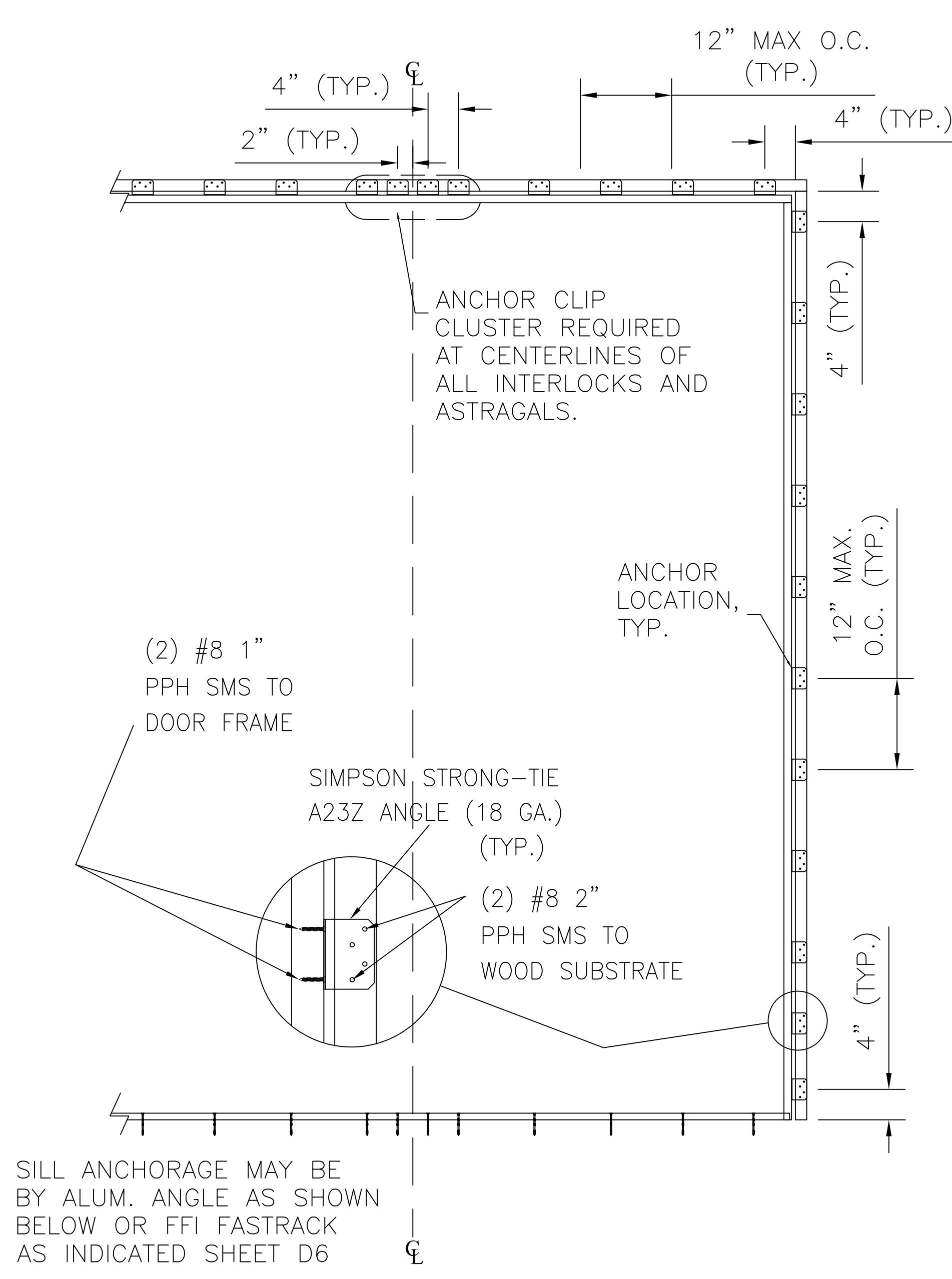
OLIVERI MILLWORKS  
 Telephone: 561-478-7233  
 Facsimile: 561-478-7858  
 3001 Tuxedo Avenue  
 West Palm Beach, FL 33405  
 Webpage: www.oliveriwindowsanddoors.com

Scale NTS  
 Date 12/20/21  
 Drawn JDS/LAT  
 Dwg. LIFTSLIDE-LM  
 Revision 0  
 Sheet No. D4

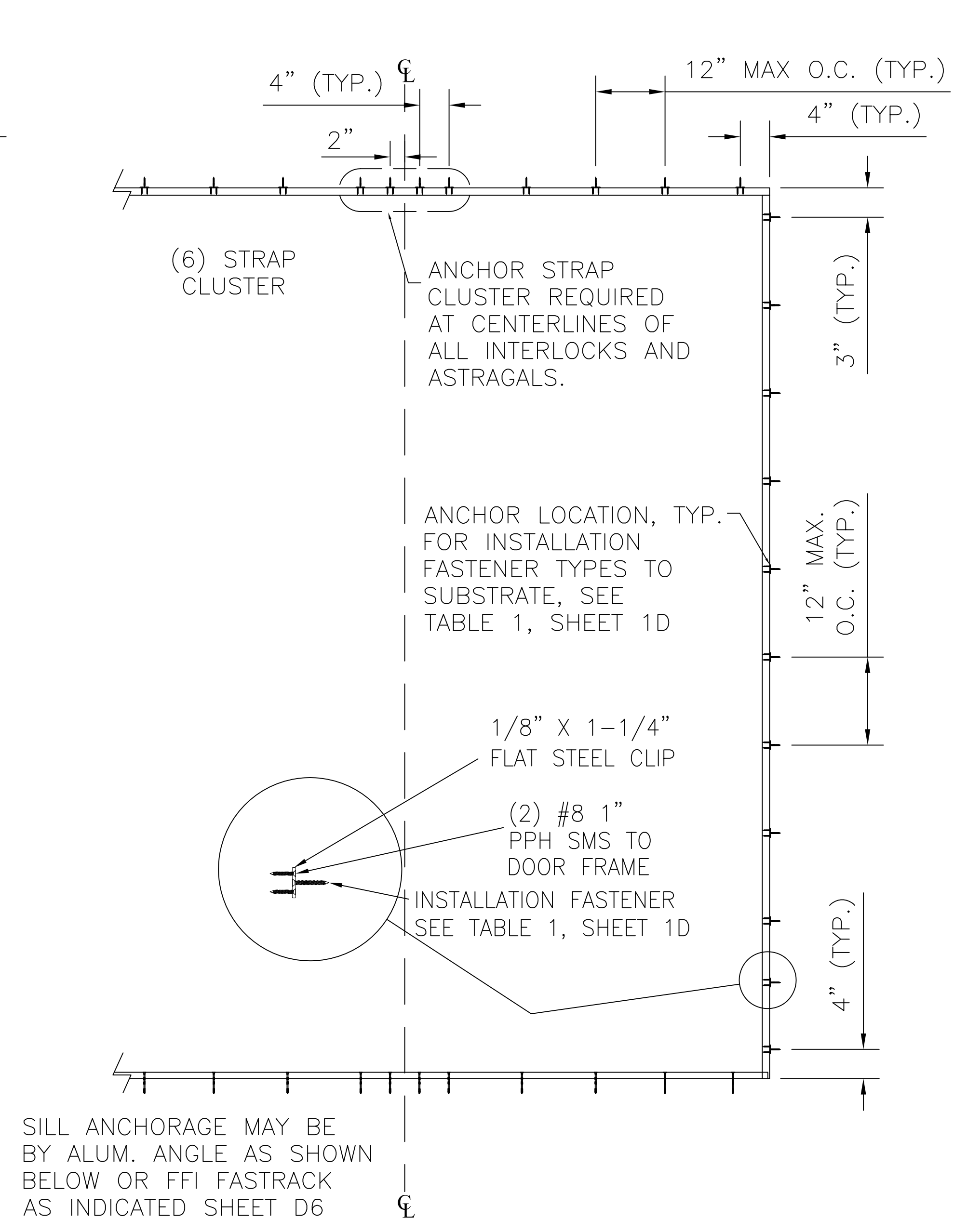
### TYPICAL THROUGH-FRAME INSTALLATION ANCHORAGE



### TYPICAL ANGLE CLIP INSTALLATION ANCHORAGE



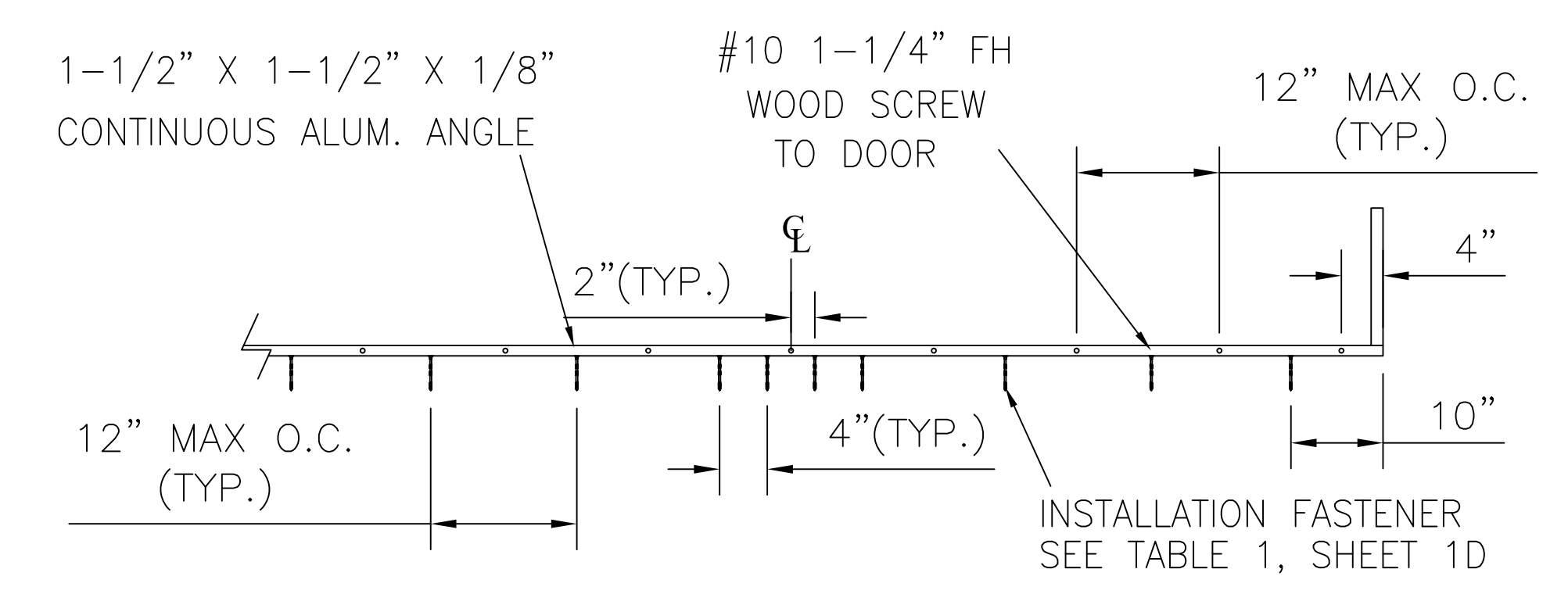
### TYPICAL FLAT STRAP INSTALLATION ANCHORAGE



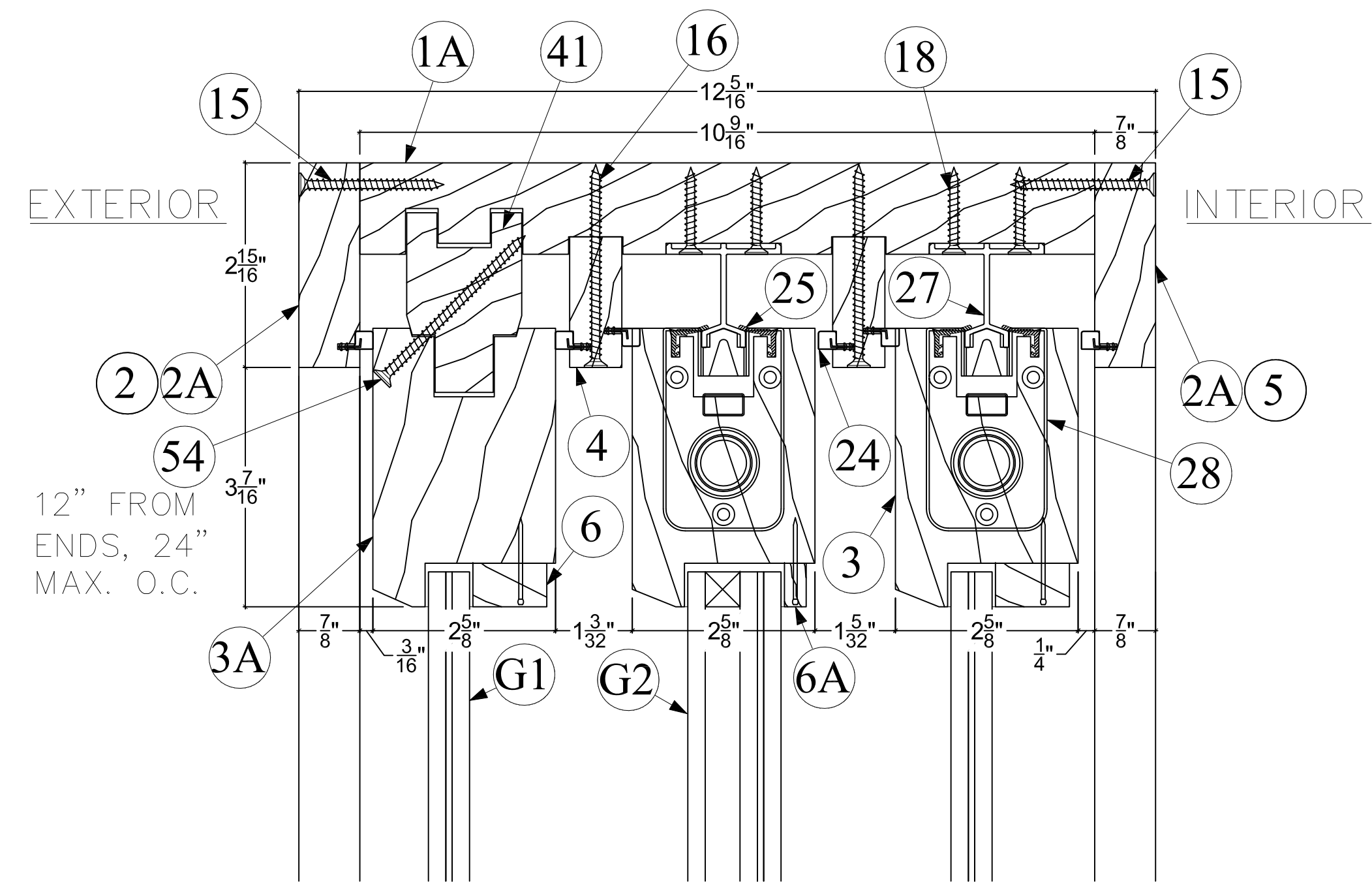
NOTE: EACH HEAD/SILL ANCHOR LOCATION SHOWN ABOVE REQUIRES ATTACHMENT OF FRAME AT BOTH INSIDE AND OUTSIDE OF FRAME; INSIDE AND OUTSIDE ATTACHMENTS MAY BE ANY OF THE THREE METHODS SHOWN THIS SHEET, AT EACH ANCHOR LOCATION.

### SILL ANCHORAGE W/ ALUMINUM ANGLE

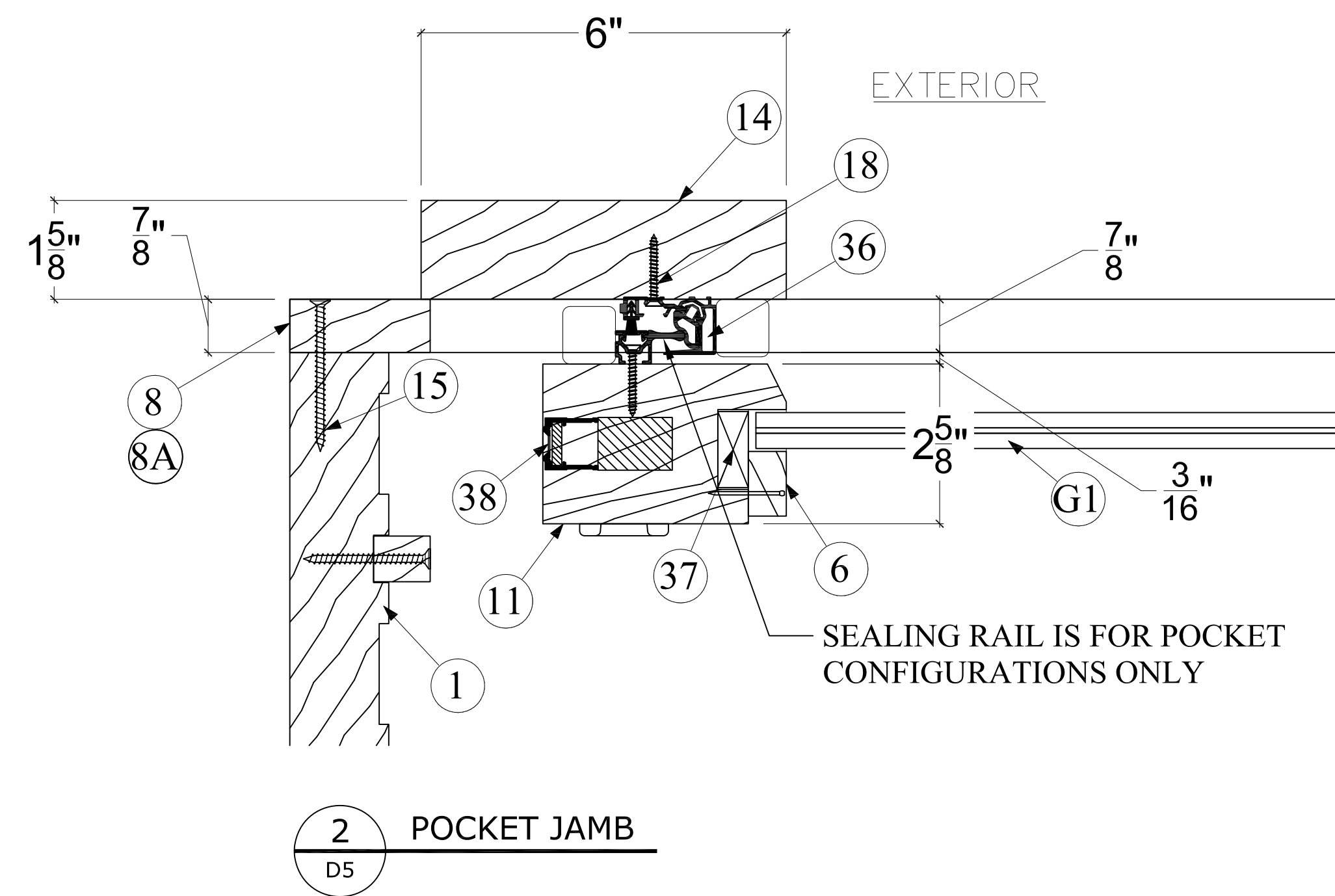
(MAY BE USED WITH ANY HEAD/JAMB ANCHORAGE METHOD)



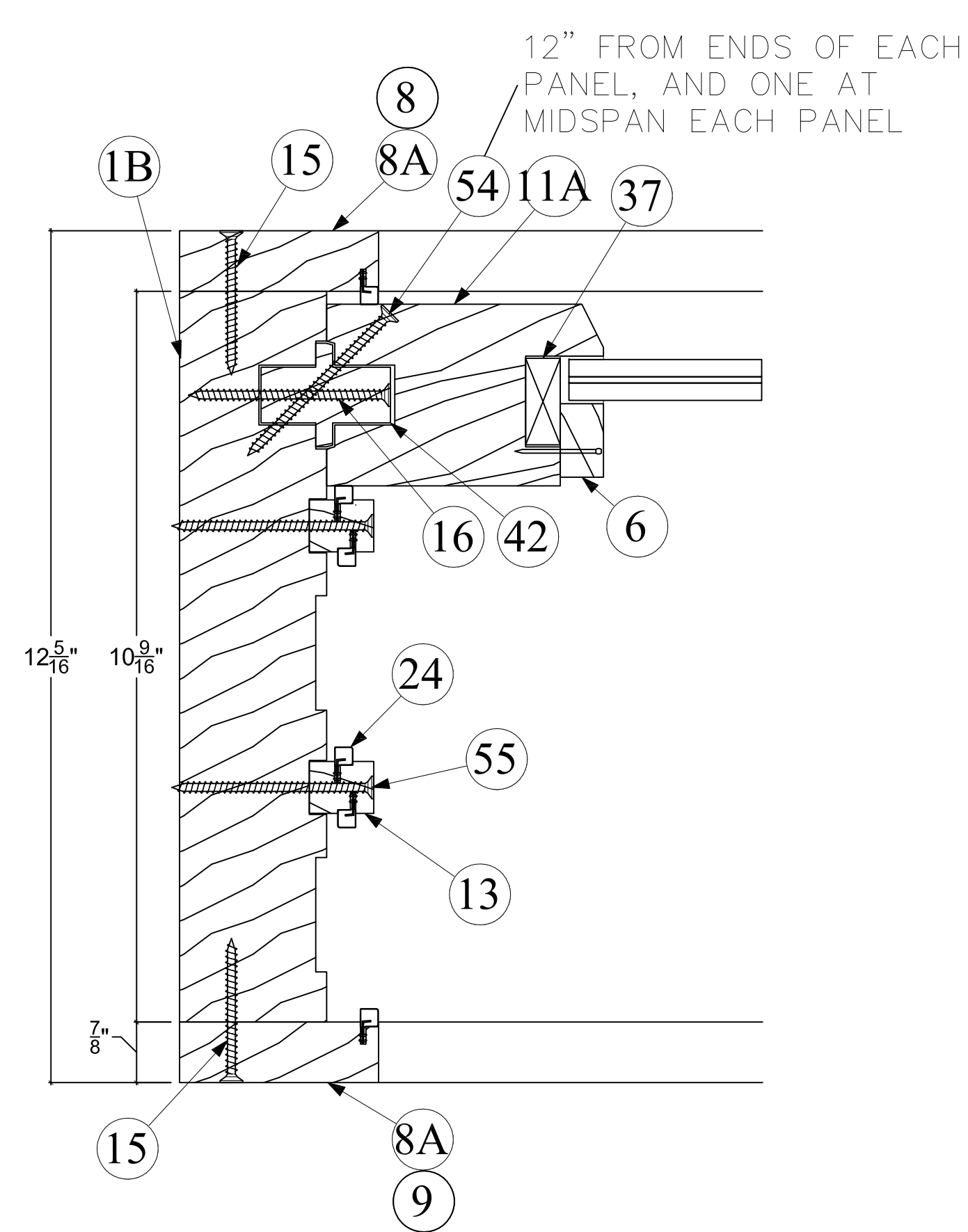




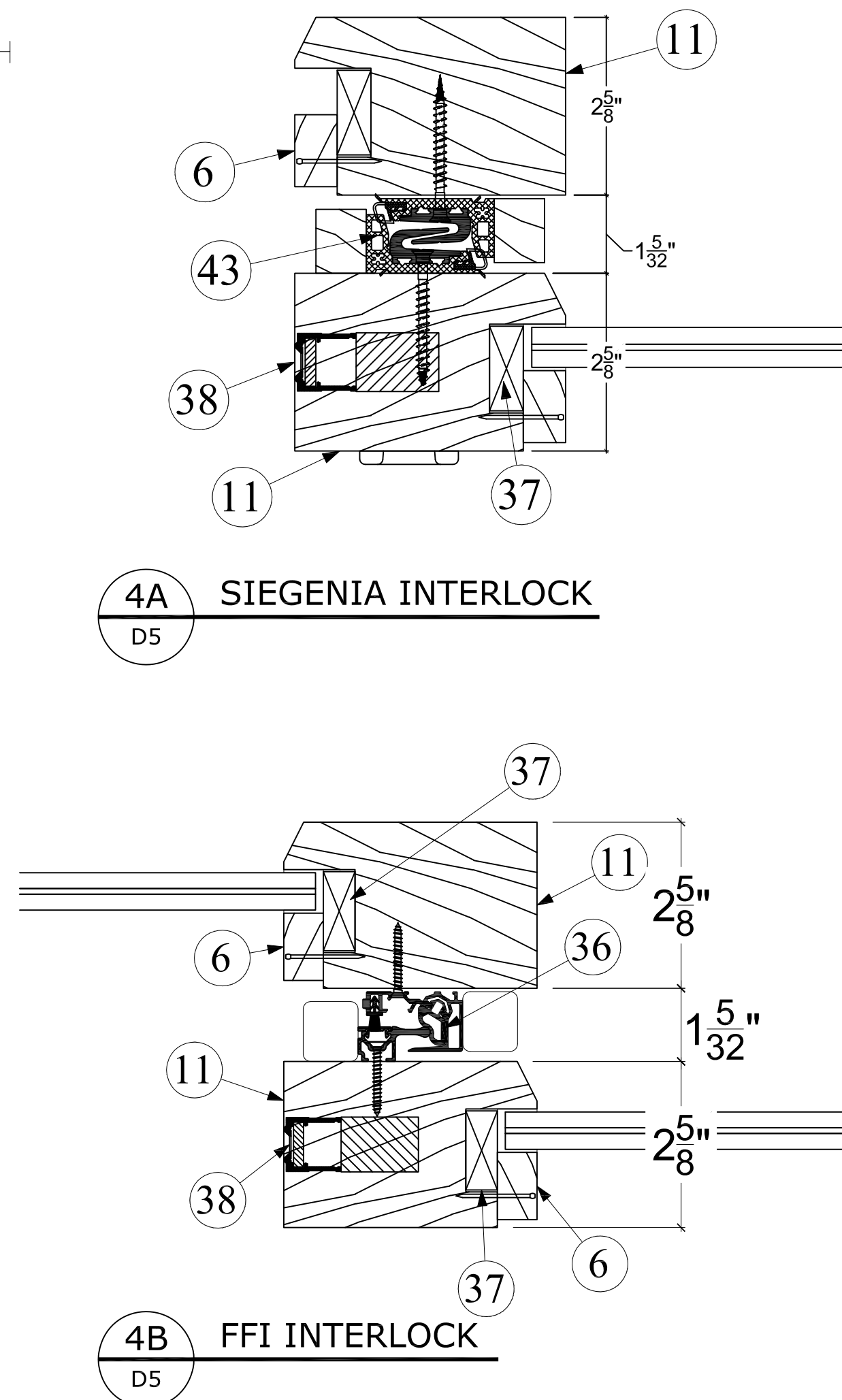
**1** LIFT AND SLIDE - HEAD DETAILS (3-TRACK OXX SHOWN)  
 (HEAD DETAILS FOR OTHER CONFIGURATIONS SIMILAR)



**2** POCKET JAMB

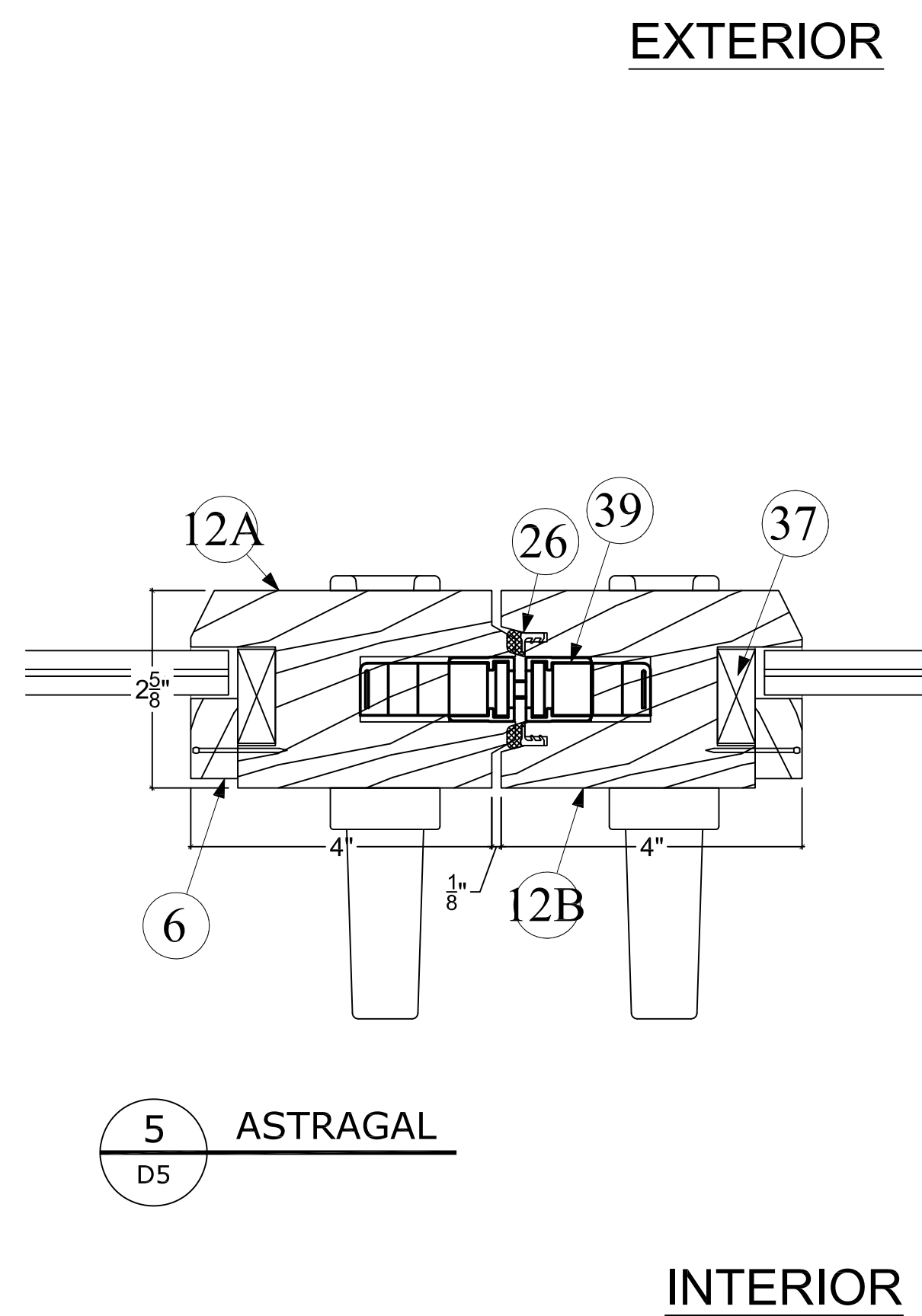


**3** FIXED JAMB (3-TRACK SHOWN)  
 (FIXED PANEL OTHER TRACK QTY. SIMILAR, FIXED PANEL MAY BE AT ANY POSITION ON FRAME JAMB)

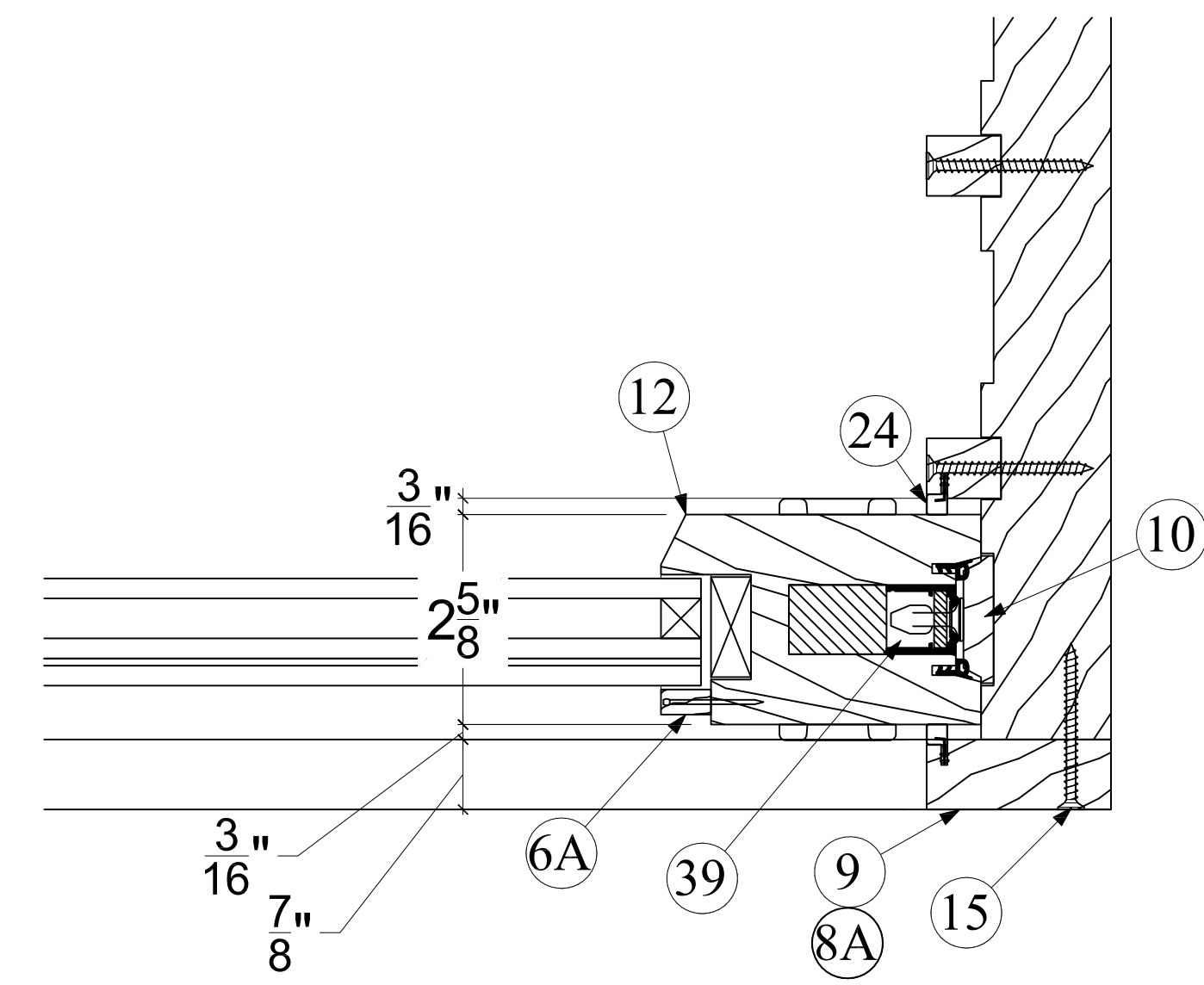


**4A** SIEGENIA INTERLOCK

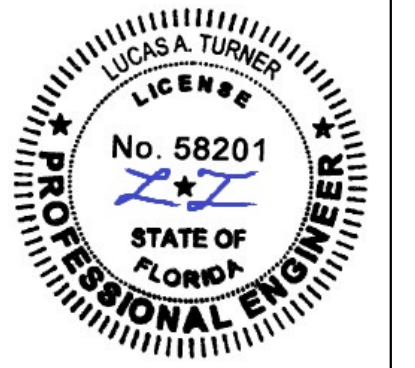
**4B** FFI INTERLOCK



**5** ASTRAGAL



**6** LOCK JAMB  
 (LOCK PANEL MAY BE AT ANY POSITION ON FRAME JAMB)



10/18/2023

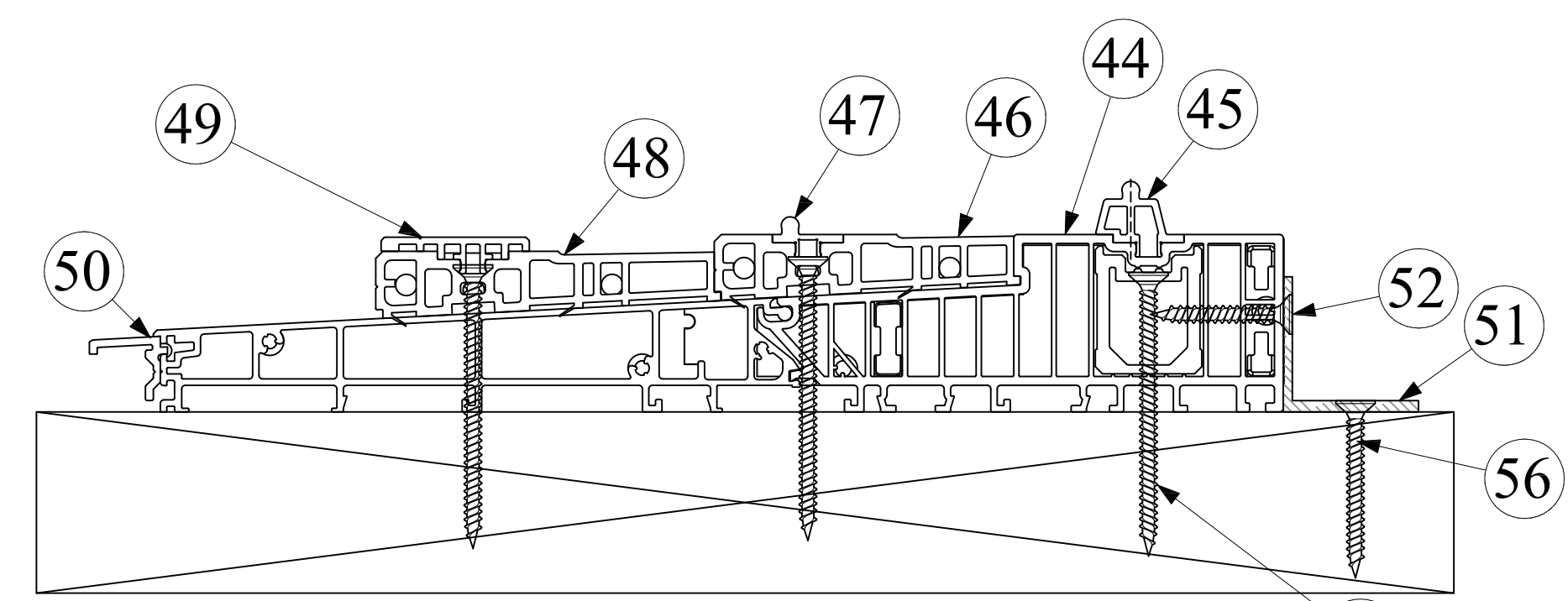
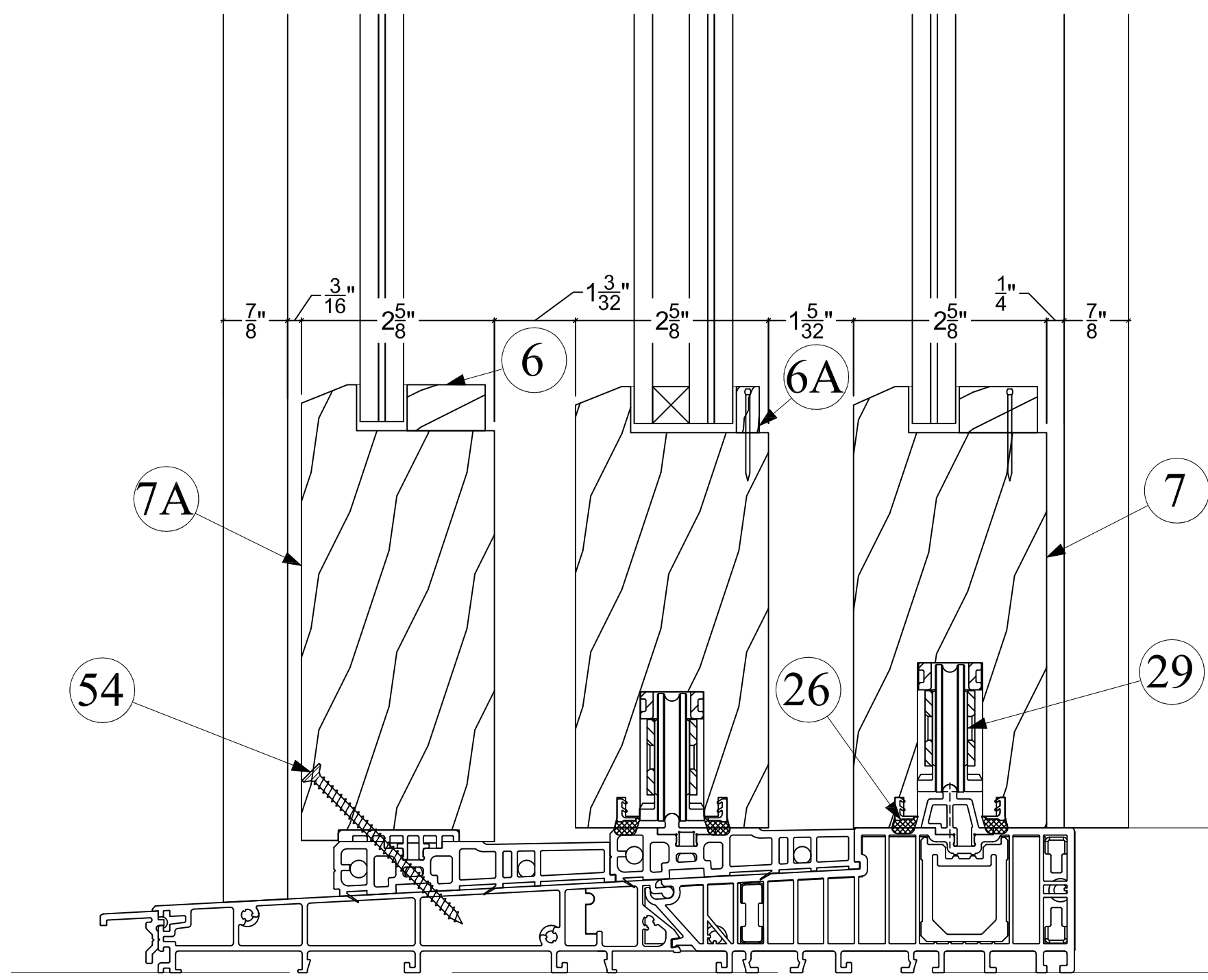
TE&C  
 LUCAS A. TURNER, P.E., FL PE 58201  
 TURNER ENGINEERING & CONSULTING, INC.  
 PH. 941-380-1574  
 2428 OLD NATCHEZ TRACE TRAIL  
 CAMDEN, TN 38320

OLIVERI LIFT AND SLIDE  
 MAHOGANY WOOD DOORS  
 LARGE MISSILE IMPACT

**OLIVERI MILLWORKS**  
 Telephone: 561-478-7233  
 Facsimile: 561-478-7858  
 3001 Tuxedo Avenue  
 West Palm Beach, FL 33405  
 Webpage: www.oliveriwindowsanddoors.com

Scale	NTS
Date	12/20/21
Drawn	JDS/LAT
Dwg.	LIFTSLIDE-LM
Revision	0
Sheet No.	D5



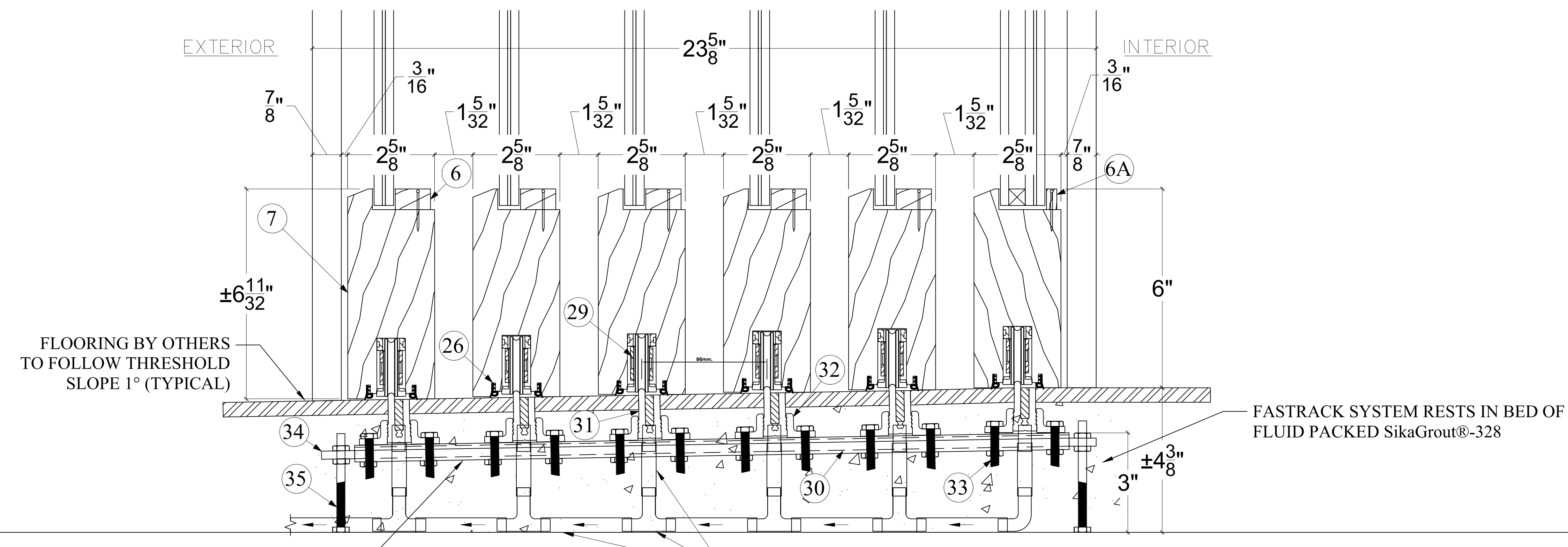


SEE ANGLE  
INSTALLATION  
ANCHOR  
LOCATIONS  
SHEET D4

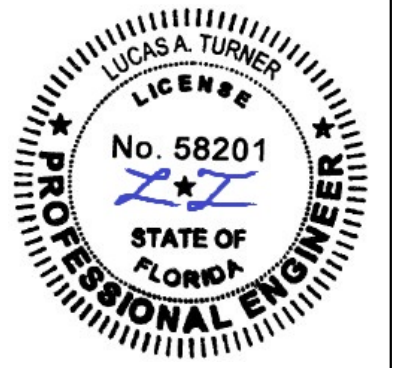
56 LOC. ALONG THRESHOLD  
AT 4" MAX. FROM ENDS,  
12" MAX. O.C.

**1** SIEGENIA THRESHOLD DETAILS  
D6 3-TRACK OXX FRAME SHOWN, OTHER SIEGENIA CONFIGURATIONS SIMILAR.

**1** FFI FASTRACK LIFT AND SLIDE - HEAD DETAILS  
D6 6-PANEL POCKET SHOWN, OTHER FFI CONFIGURATIONS SIMILAR.



**2** FFI FASTRACK THRESHOLD DETAILS  
D6 6-PANEL POCKET FRAME SHOWN, OTHER FFI CONFIGURATIONS SIMILAR.



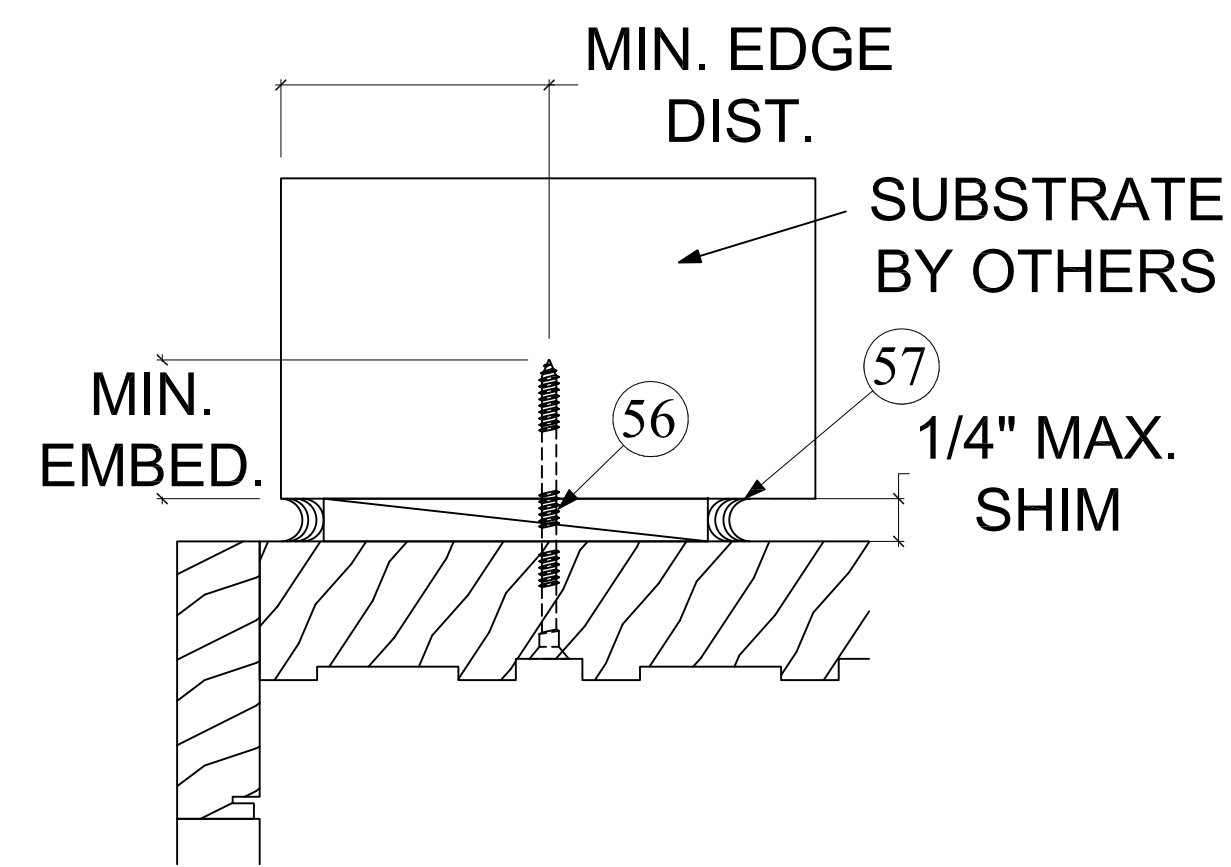
10/18/2023

TE&C  
LUCAS A. TURNER, P.E., FL PE 58201  
TURNER ENGINEERING & CONSULTING, INC.  
PH. 941-380-1574  
2428 OLD NATCHEZ TRACE TRAIL  
CAMDEN, TN 38320

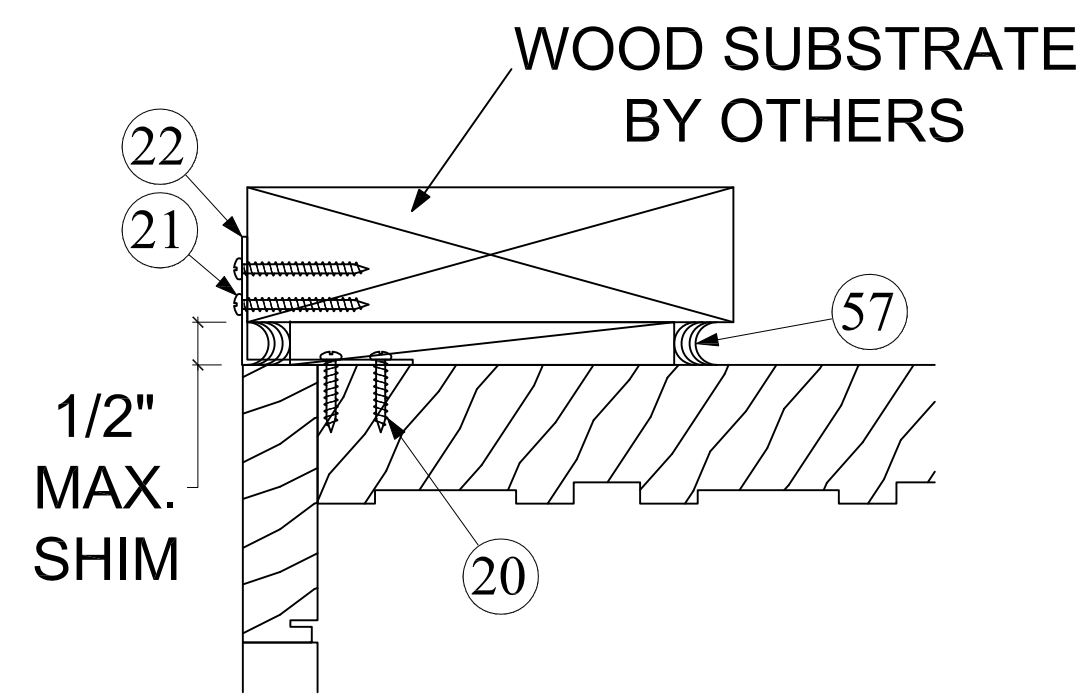
OLIVERI LIFT AND SLIDE  
MAHOGANY WOOD DOORS  
LARGE MISSILE IMPACT

**OLIVERI MILLWORKS**  
Telephone: 561-478-7233  
Facsimile: 561-478-7858  
3001 Tuwedo Avenue  
West Palm Beach, FL 33405  
Webpage: www.oliveriwindowsanddoors.com

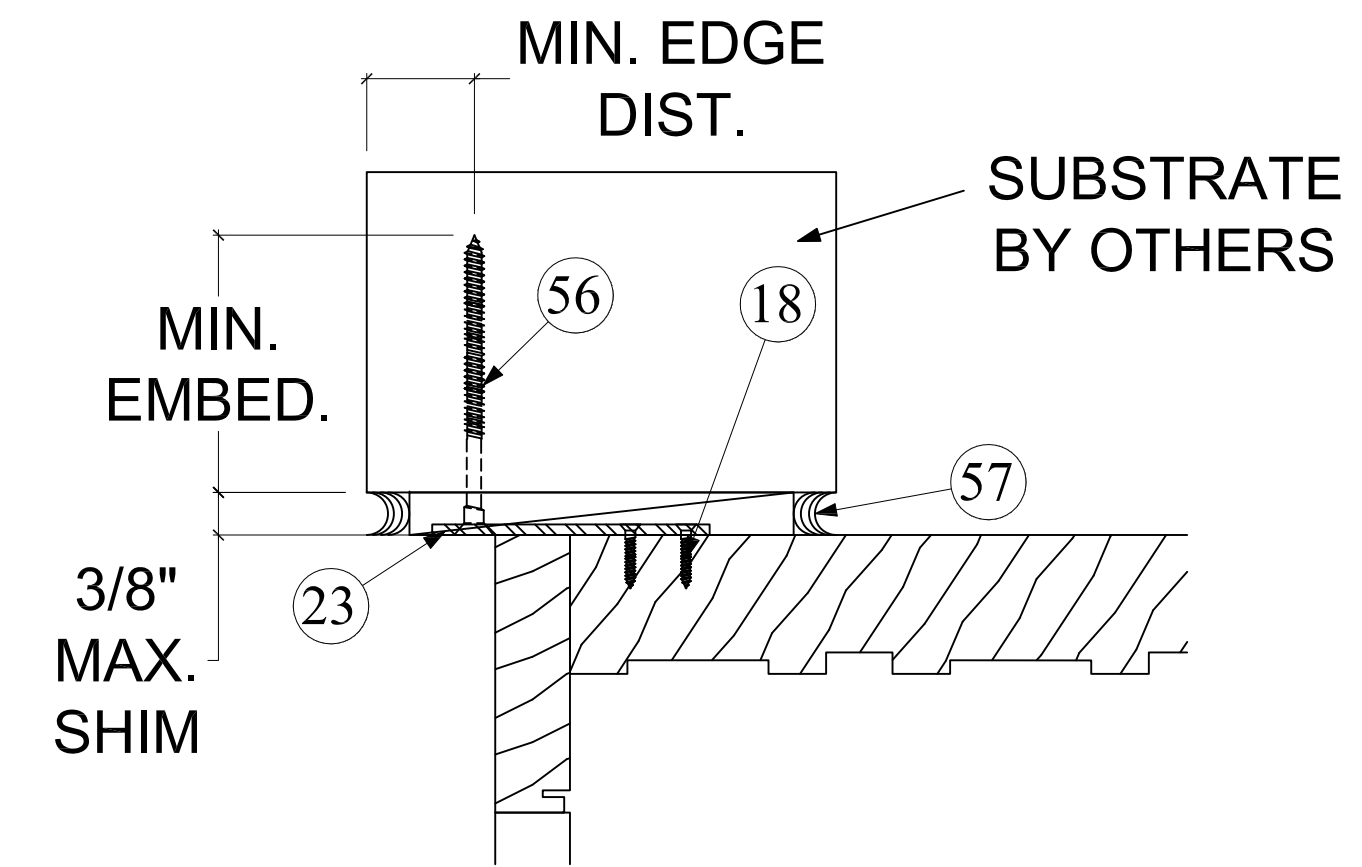
Scale	NTS
Date	12/20/21
Drawn	JDS/LAT
Dwg.	LIFTSLIDE-LM
Revision	0
Sheet No.	D6



1  
D7 **HEADER AND JAMB INSTALLATION, THROUGH FRAME**  
APPLIES TO INTERIOR AND/OR EXTERIOR OF FRAMING

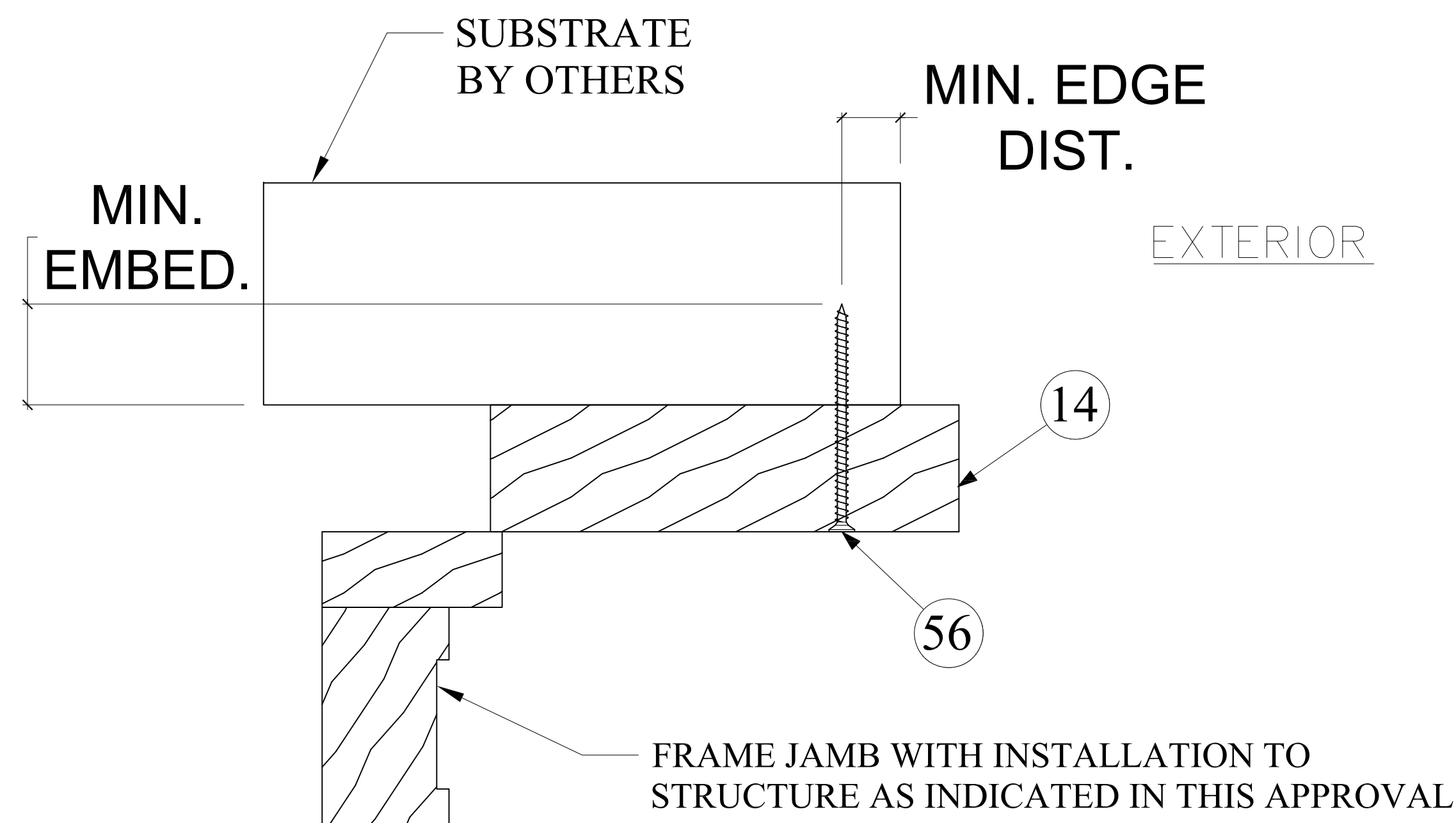


2  
D7 **HEADER AND JAMB INSTALLATION, ANGLE CLIP**  
APPLIES TO INTERIOR AND/OR EXTERIOR OF FRAMING

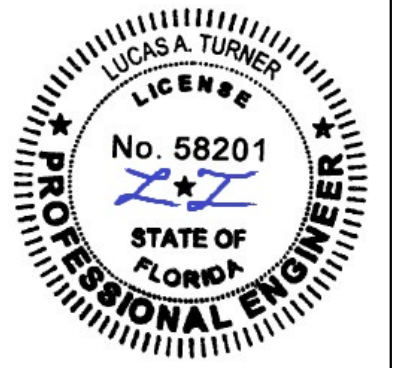


3  
D7 **HEADER AND JAMB INSTALLATION, FLAT STRAP**  
APPLIES TO INTERIOR AND/OR EXTERIOR OF FRAMING

NOTE: EACH HEAD/SILL ANCHOR LOCATION SHOWN ON SHEET D4 REQUIRES ATTACHMENT OF FRAME AT BOTH INSIDE AND OUTSIDE OF FRAME; INSIDE AND OUTSIDE ATTACHMENTS MAY BE ANY OF THE THREE METHODS SHOWN ABOVE, AT EACH ANCHOR LOCATION (METHODS MAY BE MIXED AT EACH ANCHOR LOCATION).



4  
D7 **POCKET SEALING RAIL SUPPORT INSTALLATION**



10/18/2023

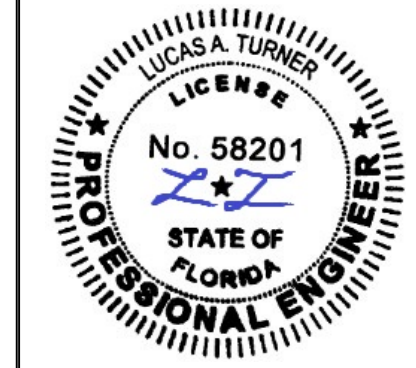
TE&C  
LUCAS A. TURNER, P.E., FL PE 58201  
TURNER ENGINEERING & CONSULTING, INC.  
PH. 941-380-1574  
2428 OLD NATCHEZ TRACE TRAIL  
CAMDEN, TN 38320

OLIVERI LIFT AND SLIDE  
MAHOAGANY WOOD DOORS  
LARGE MISSILE IMPACT

**OLIVERI MILLWORKS**  
Telephone: 561-478-7233  
Facsimile: 561-478-7858  
3001 Tuxedo Avenue  
West Palm Beach, FL 33405  
Webpage: www.oliveriwindowsanddoors.com

Scale	NTS
Date	12/20/21
Drawn	JDS/LAT
Dwg.	LIFTSLIDE-LM
Revision	0
Sheet No.	D7





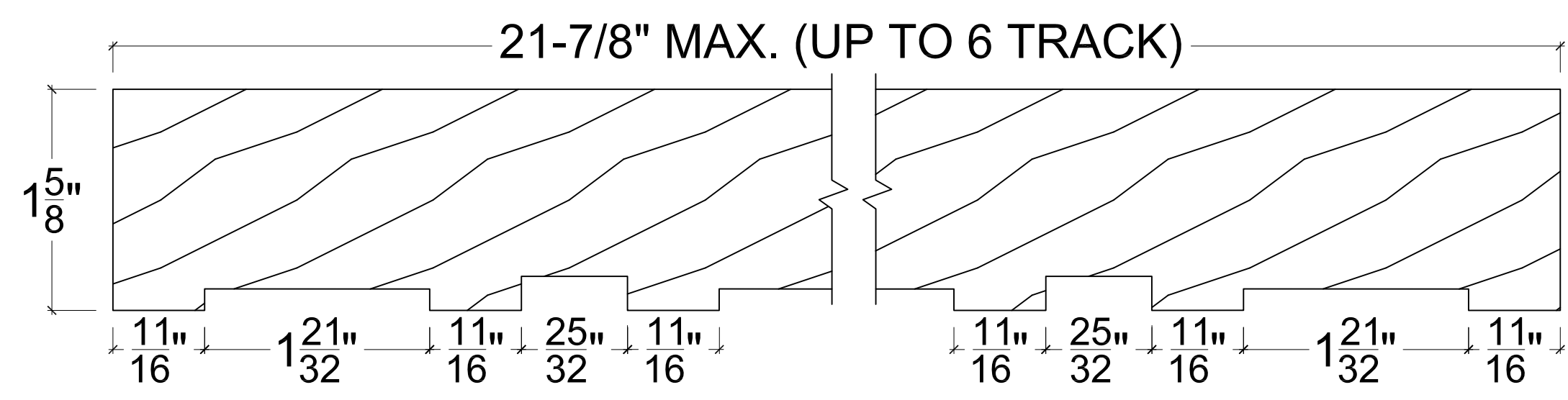
10/18/2023

TE&C  
 LUCAS A. TURNER, P.E., FL PE 58201  
 TURNER ENGINEERING & CONSULTING, INC.  
 PH. 941-380-1574  
 2428 OLD NATCHEZ TRACE TRAIL  
 CAMDEN, TN 38320

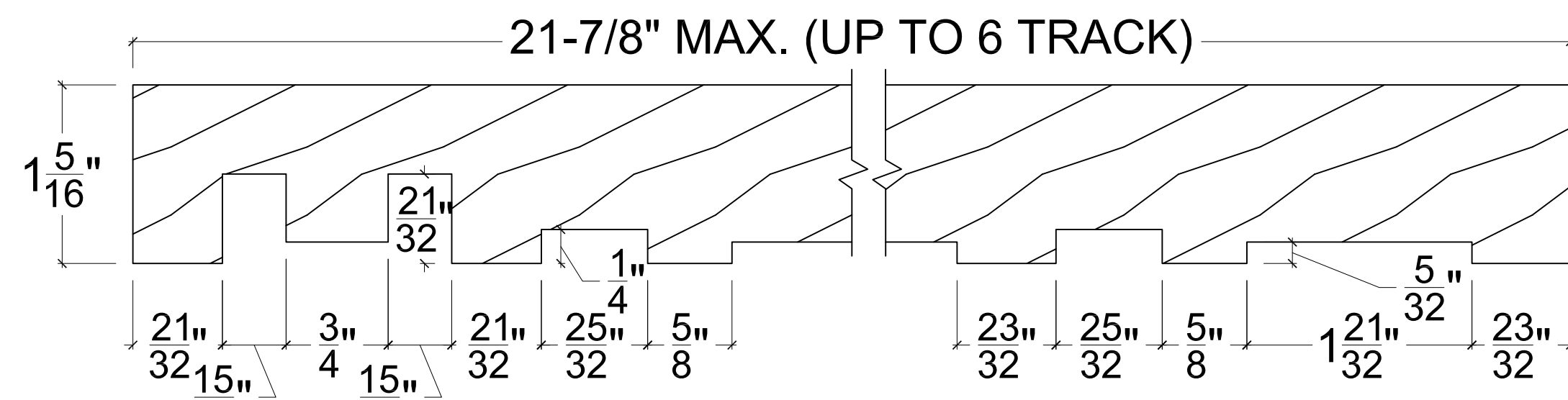
OLIVERI LIFT AND SLIDE  
 MAHOGANY WOOD DOORS  
 LARGE MISSILE IMPACT

OLIVERI MILLWORKS  
 Telephone: 561-478-7233  
 Facsimile: 561-478-7858  
 3001 Tuxedo Avenue  
 West Palm Beach, FL 33405  
 Webpage: www.oliveriwindowsanddoors.com

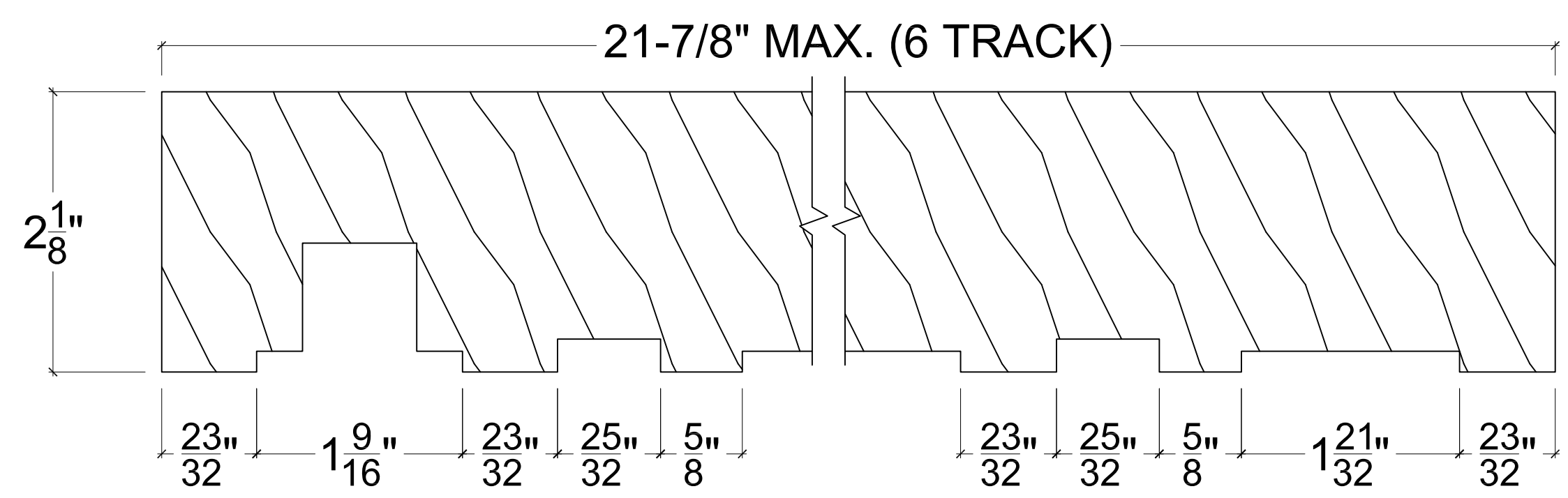
Scale NTS  
 Date 12/20/21  
 Drawn JDS/LAT  
 Dwg. LIFTSLIDE-LM  
 Revision 0  
 Sheet No. D8



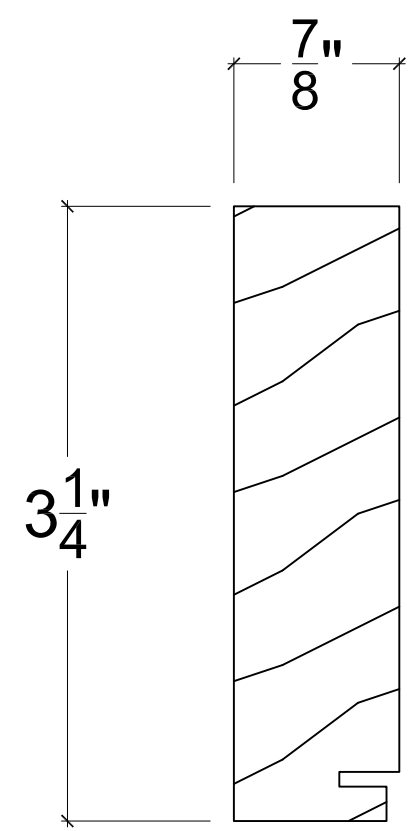
1 TYP. HEADER AND SIDE JAMB, NO FIXED PANELS  
 D8 1'-0" = 1'-0"



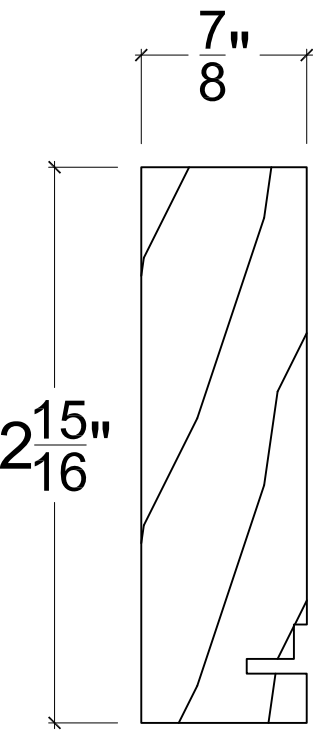
1A JAMB - HEADER - WITH FIXED PANEL(S)  
 D8 1'-0" = 1'-0"



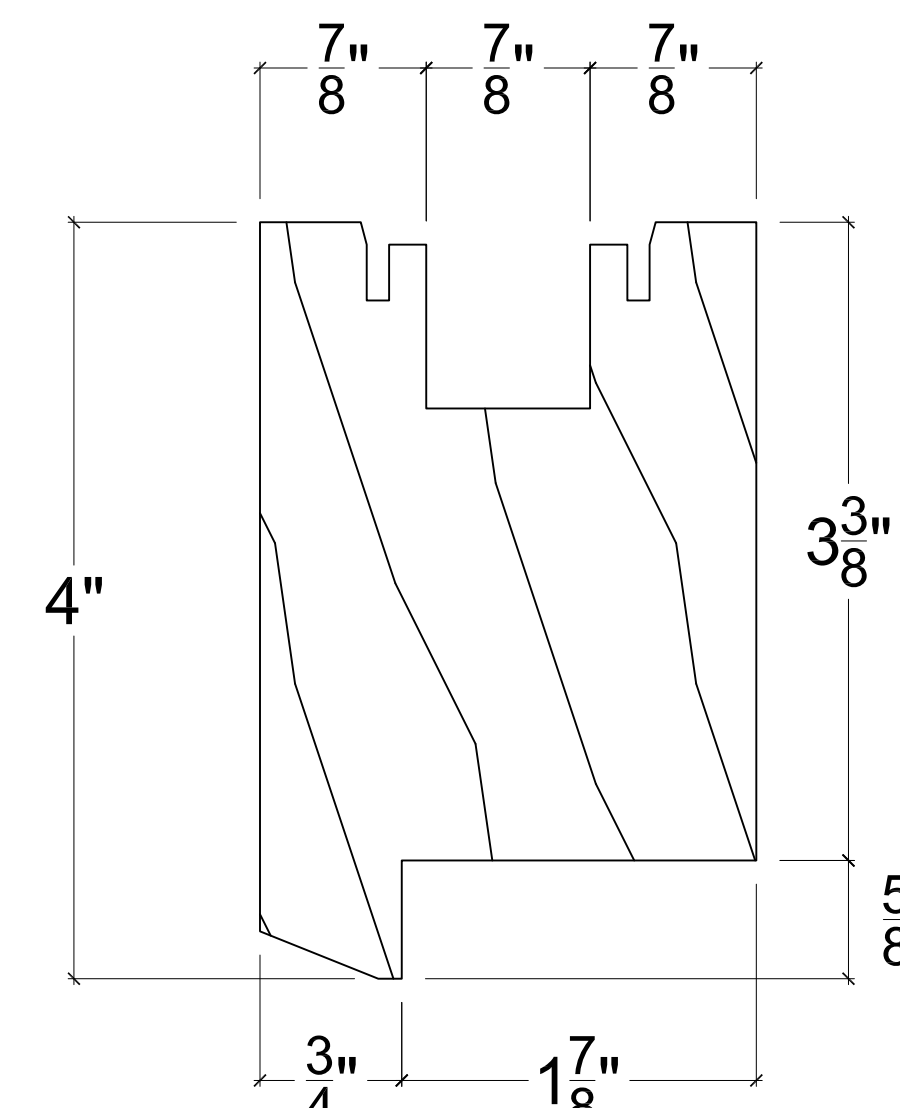
1B JAMB - SIDE WITH FIXED PANEL(S)  
 D8 1'-0" = 1'-0"



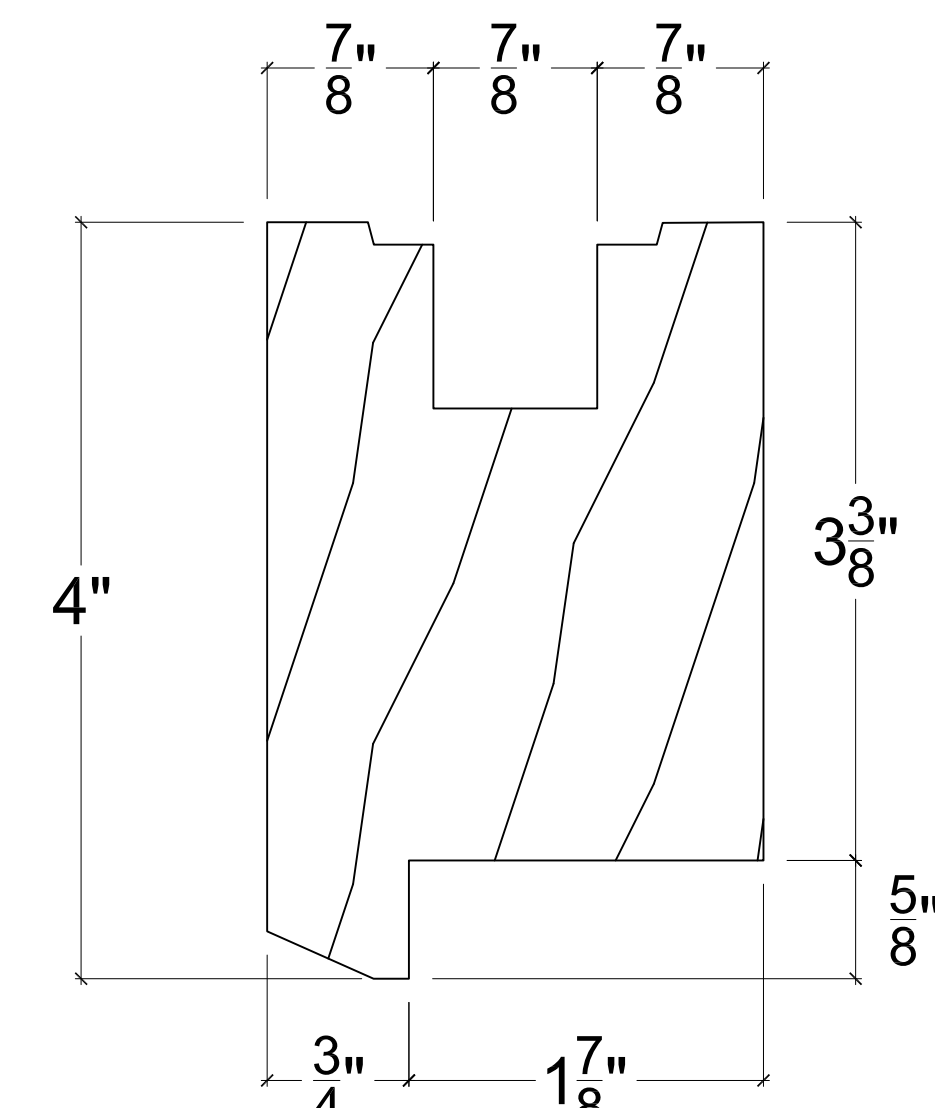
2 HEADER SASH STOP - EXTERIOR  
 D8 1'-0" = 1'-0"



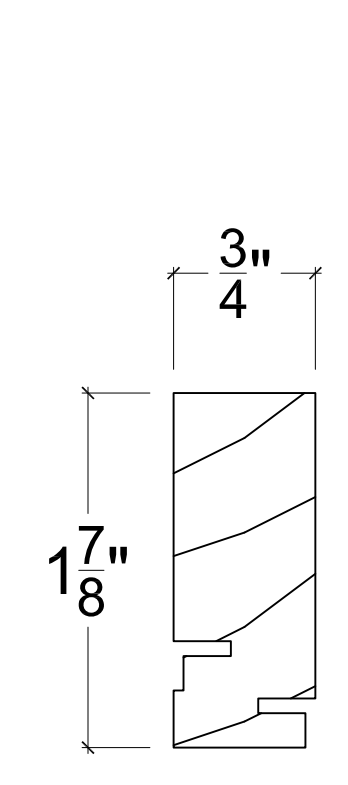
2A HEADER SASH STOP  
 D8 1'-0" = 1'-0"



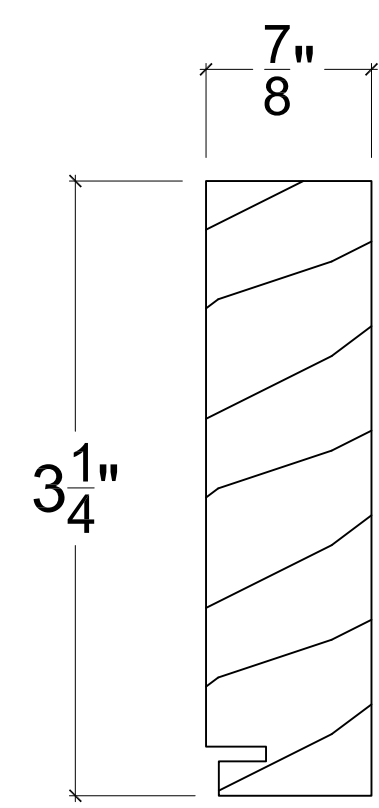
3 TOP RAIL - OPERABLE  
 D8 1'-0" = 1'-0"



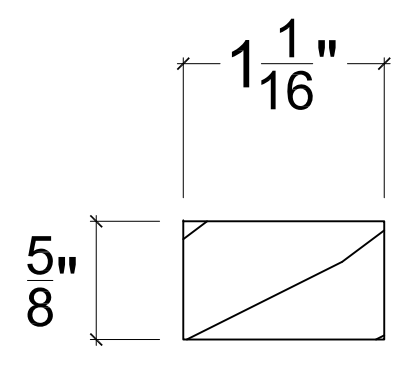
3A TOP RAIL - FIXED  
 D8 1'-0" = 1'-0"



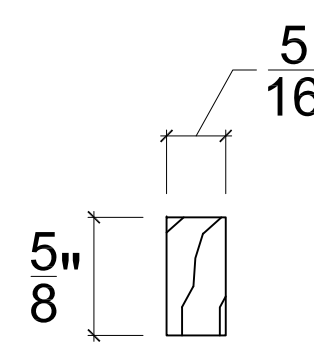
4 PARTING STRIP - HEADER  
 D8 1'-0" = 1'-0"



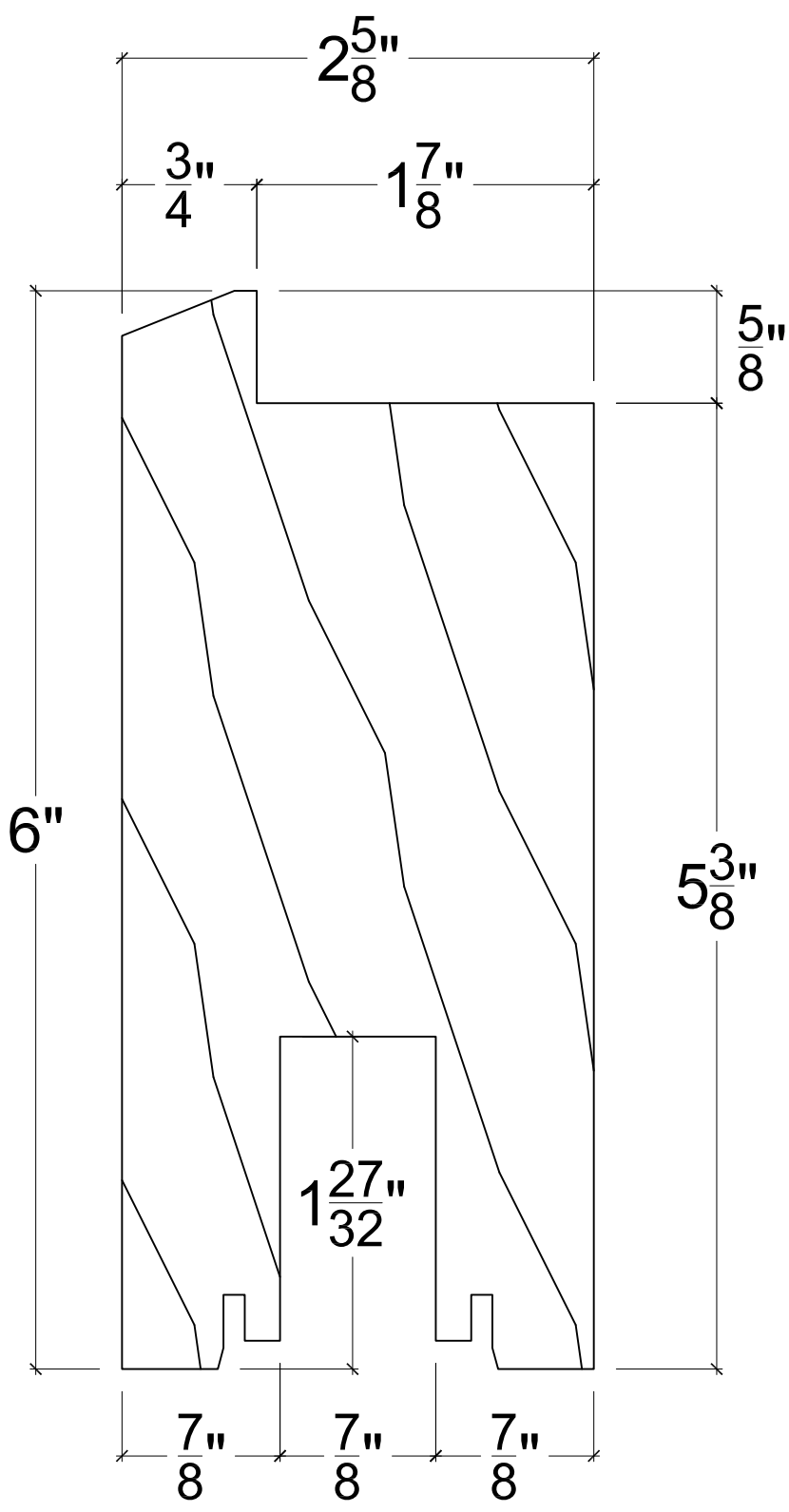
5 HEADER SASH STOP - INTERIOR  
 D8 1'-0" = 1'-0"



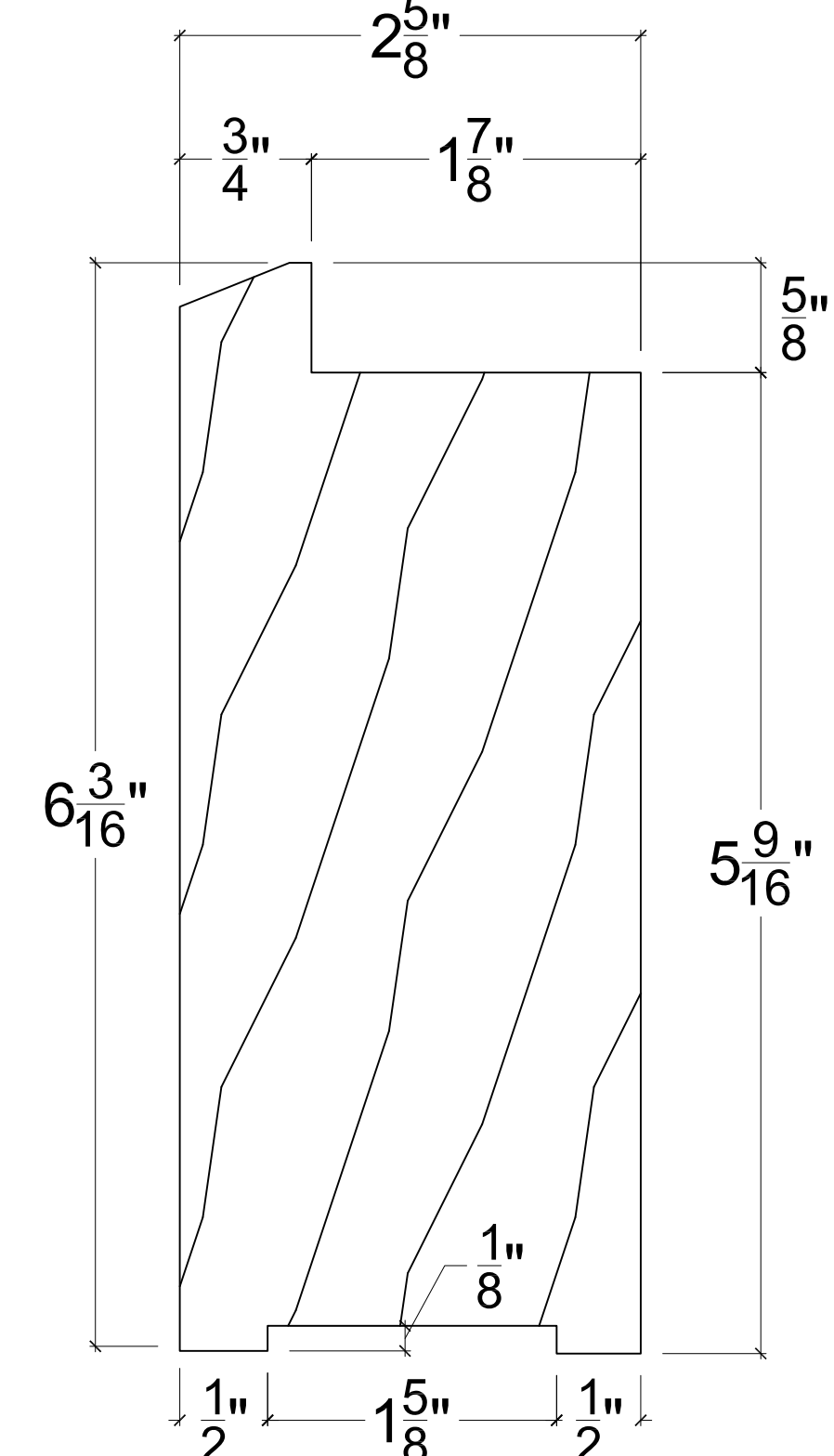
6 GLAZING BEAD - 9/16" LAMI.  
 D-05 1'-0" = 1'-0"



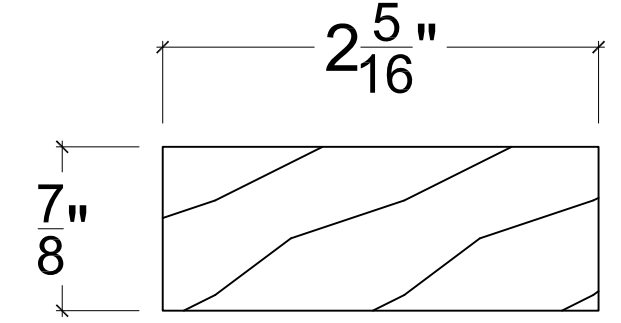
6A GLAZING BEAD - 1 3/8" INSUL.  
 D8 1'-0" = 1'-0"



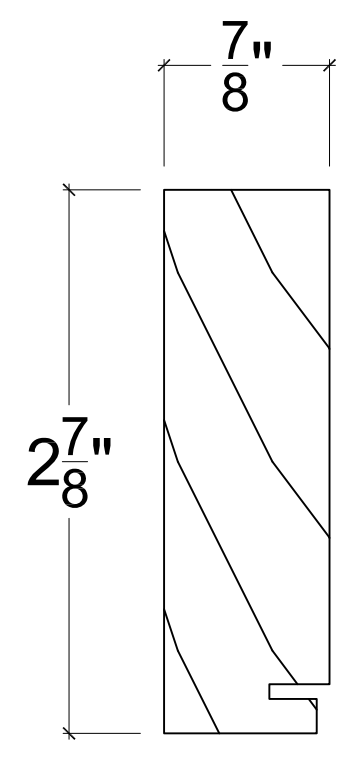
7 BOTTOM RAIL - OPERABLE  
 D8 1'-0" = 1'-0"



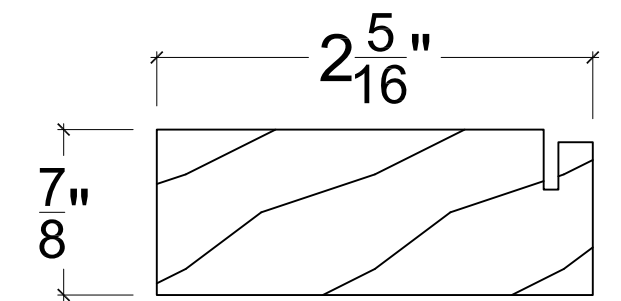
7A BOTTOM RAIL - FIXED  
 D8 1'-0" = 1'-0"



8 SIDE SASH STOP - EXTERIOR  
 D8 1'-0" = 1'-0"

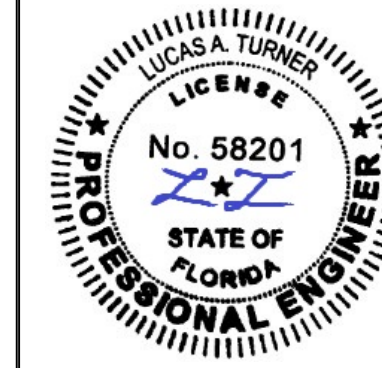


8A SIDE  
 D8 1'-0" = 1'-0"



9 SIDE SASH STOP - INTERIOR  
 D8 1'-0" = 1'-0"





10/18/2023

TE&C  
 LUCAS A. TURNER, P.E. FL PE 58201  
 TURNER ENGINEERING & CONSULTING, INC.  
 PH. 941-380-1574  
 2428 OLD NATCHEZ TRACE TRAIL  
 CAMDEN, TN 38320

OLIVERI LIFT AND SLIDE  
 MAHOGANY WOOD DOORS  
 LARGE MISSILE IMPACT

OLIVERI MILLWORKS  
 Telephone: 561-478-7233  
 Facsimile: 561-478-7858  
 3001 Tuxedo Avenue  
 West Palm Beach, FL 33405  
 Webpage: www.oliveriwindowsanddoors.com

Scale NTS

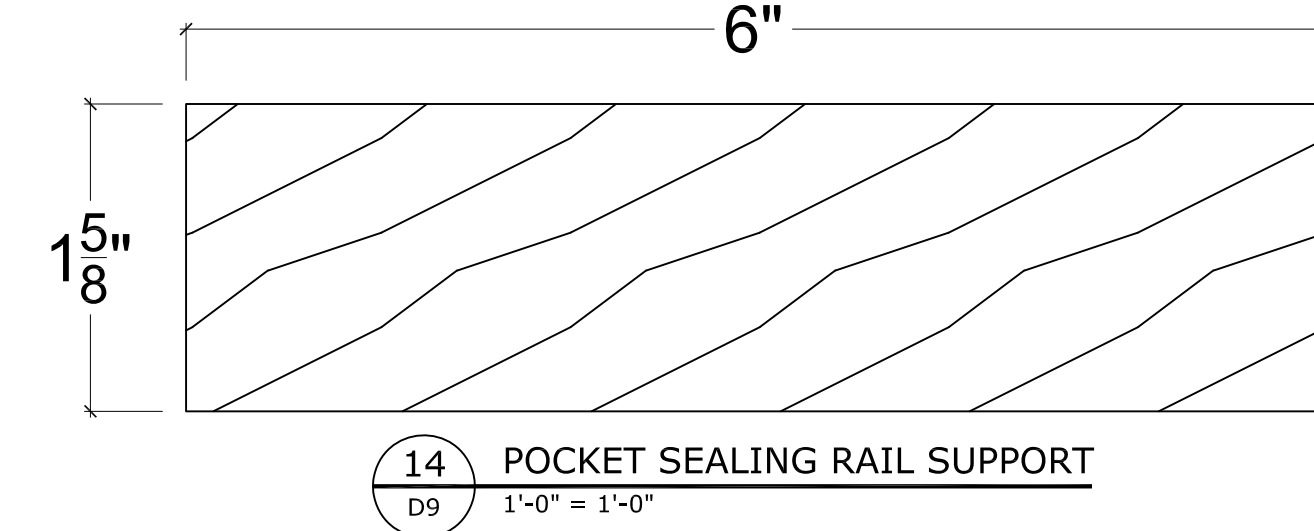
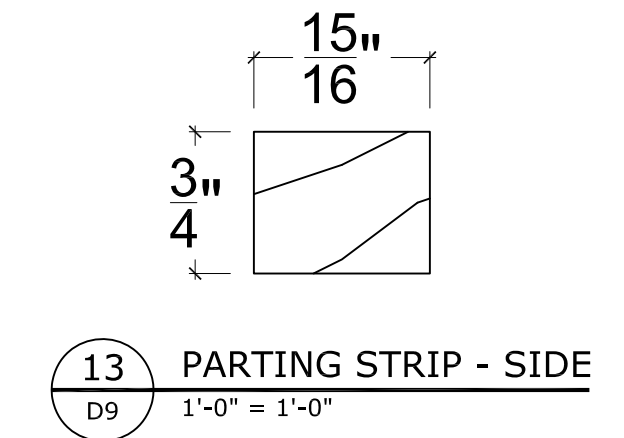
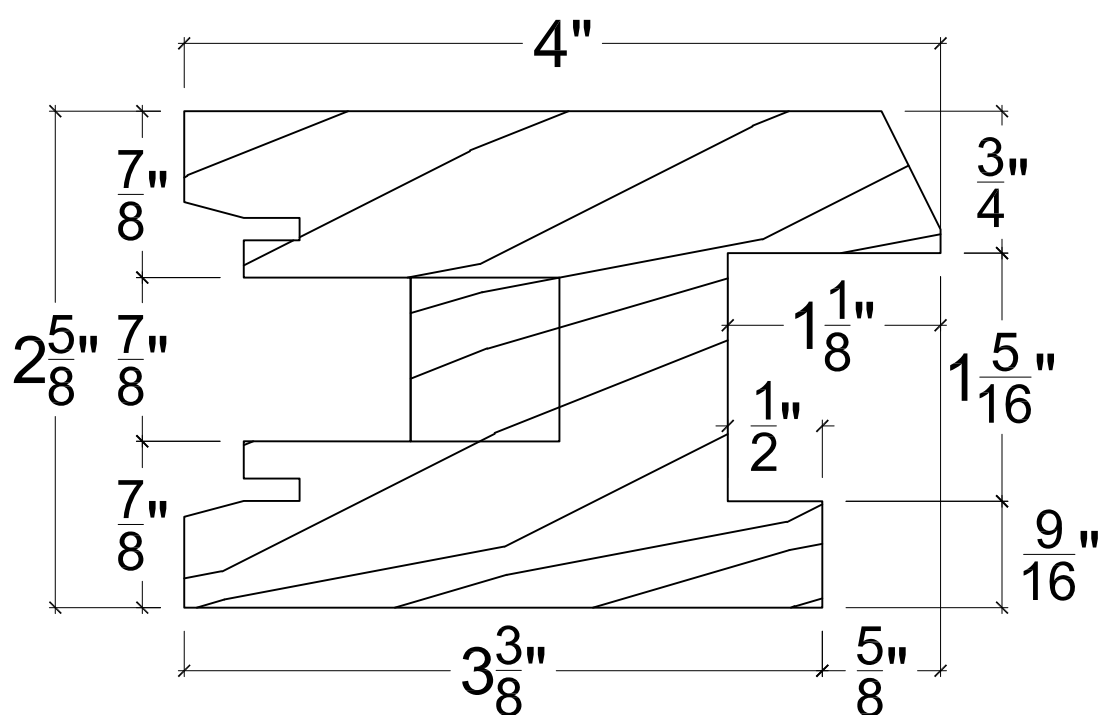
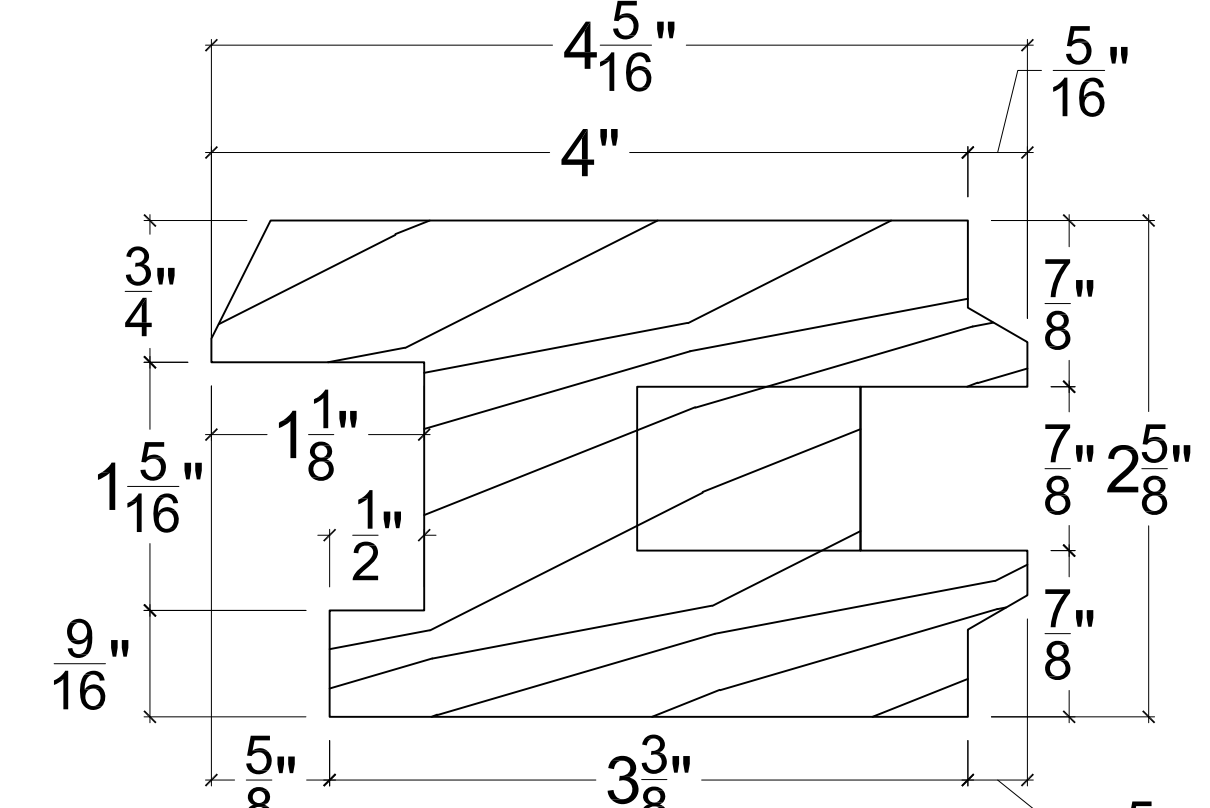
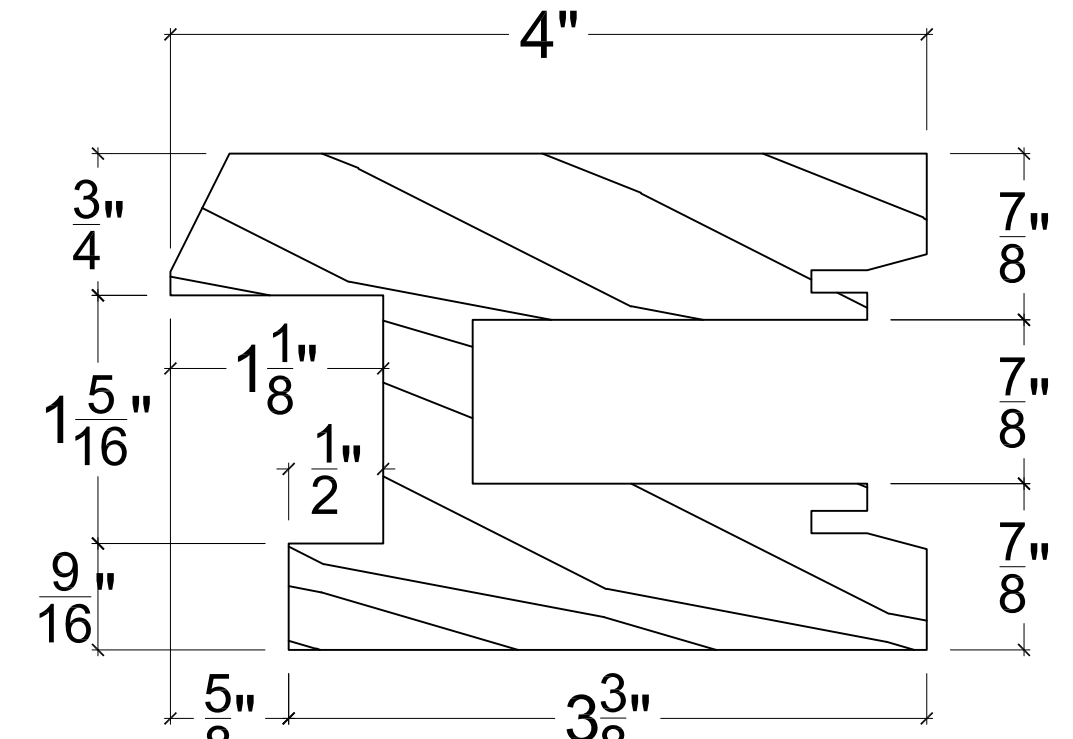
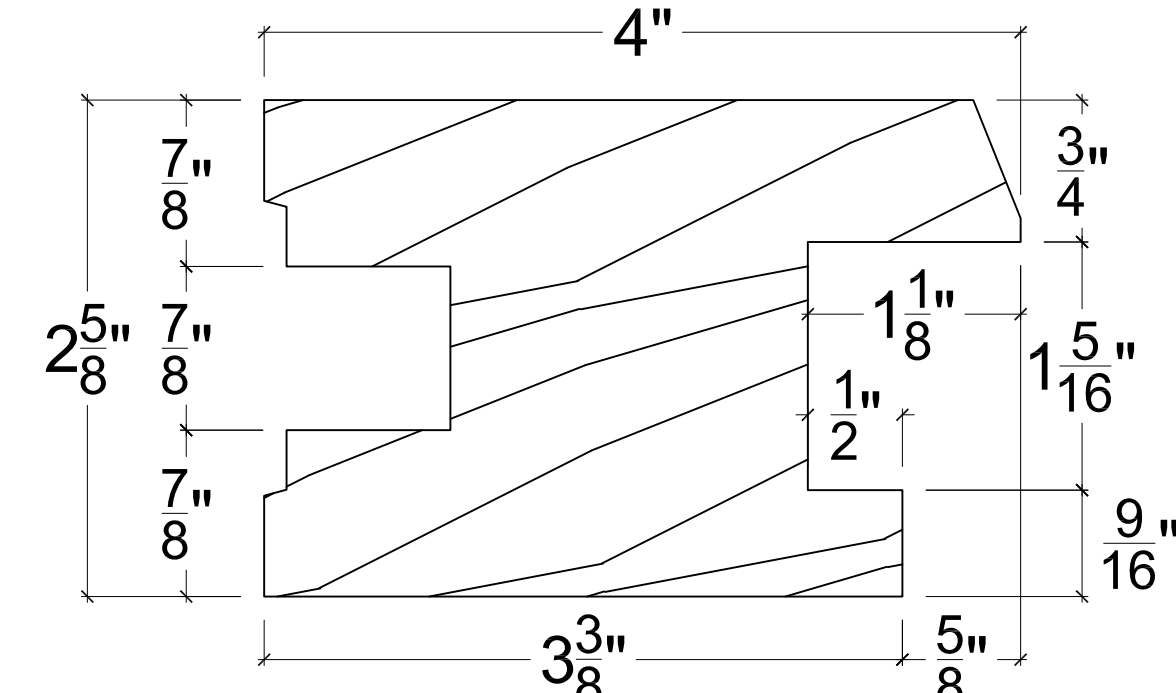
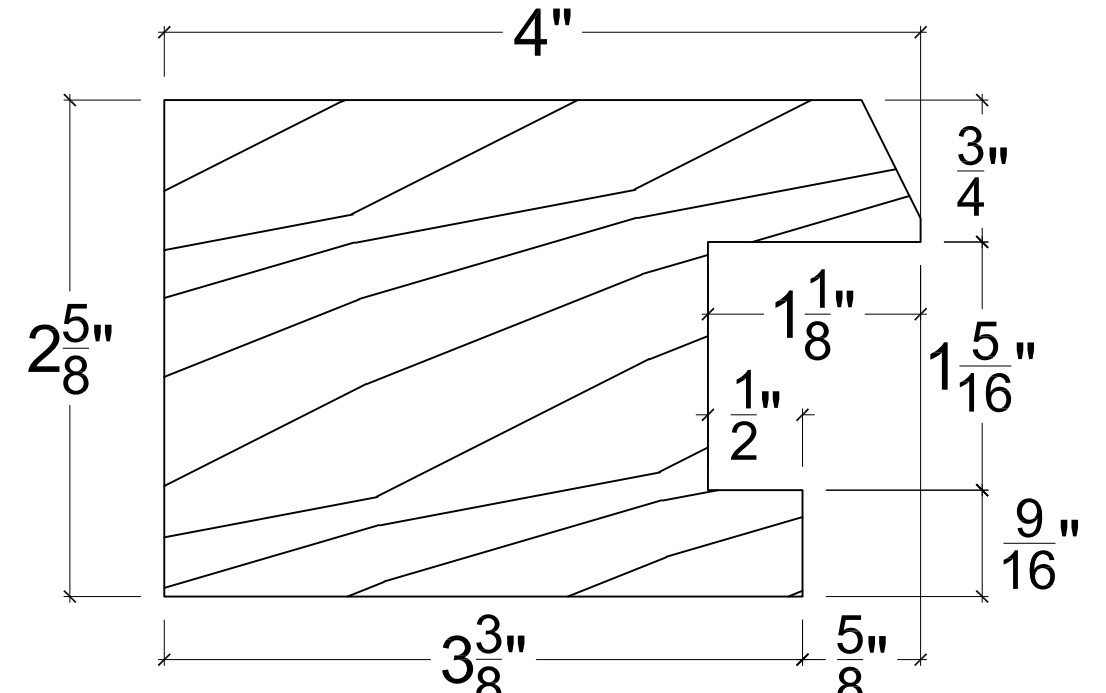
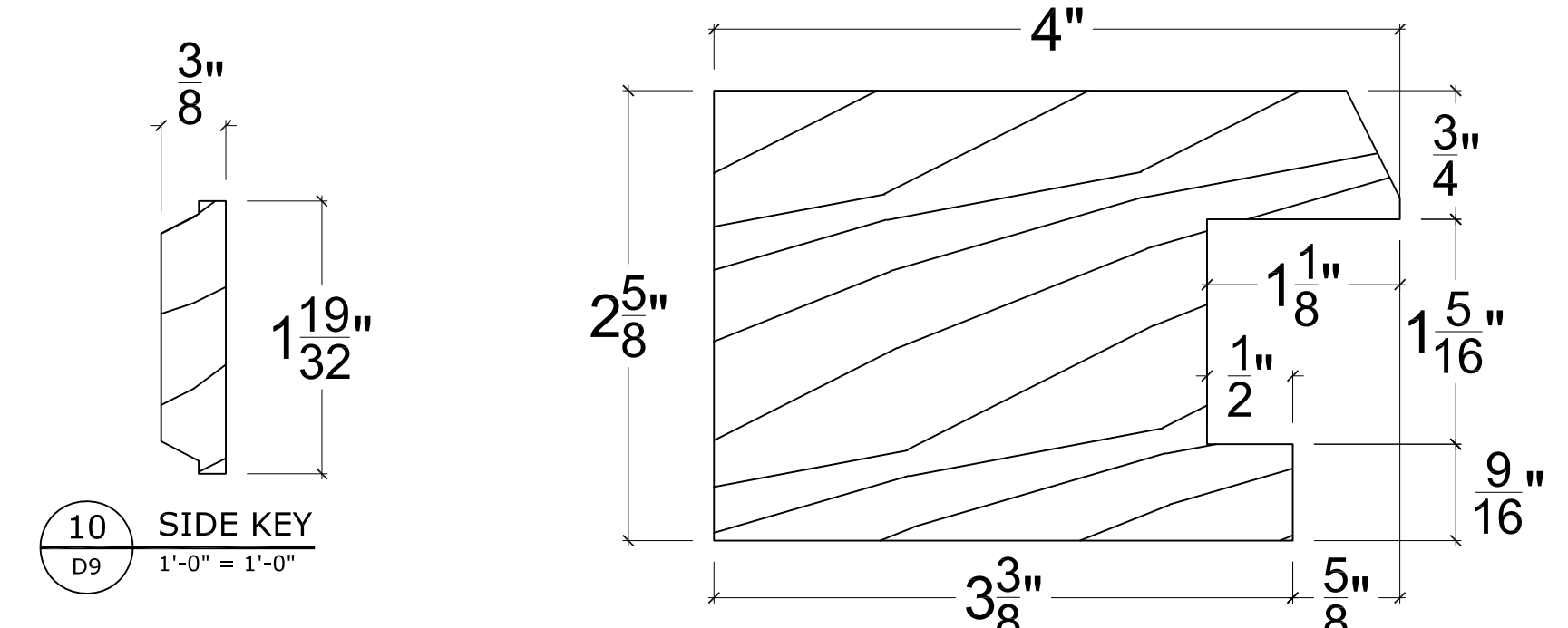
Date 12/20/21

Drawn JDS/LAT

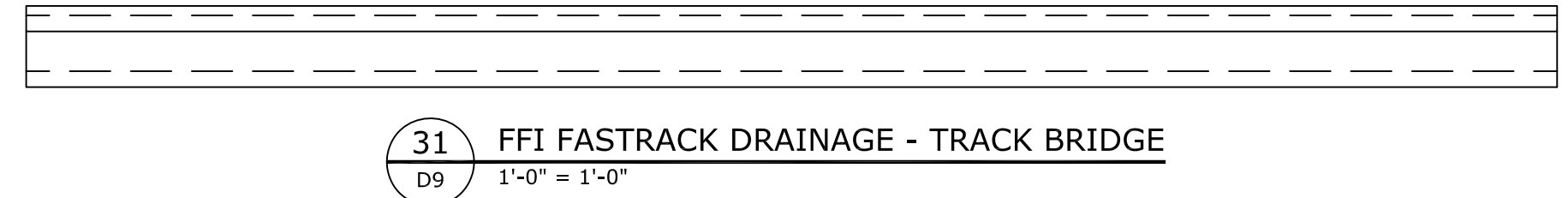
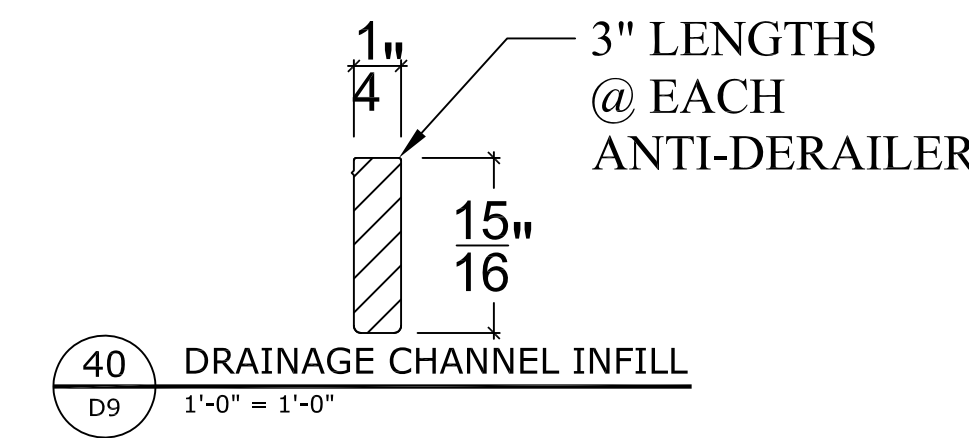
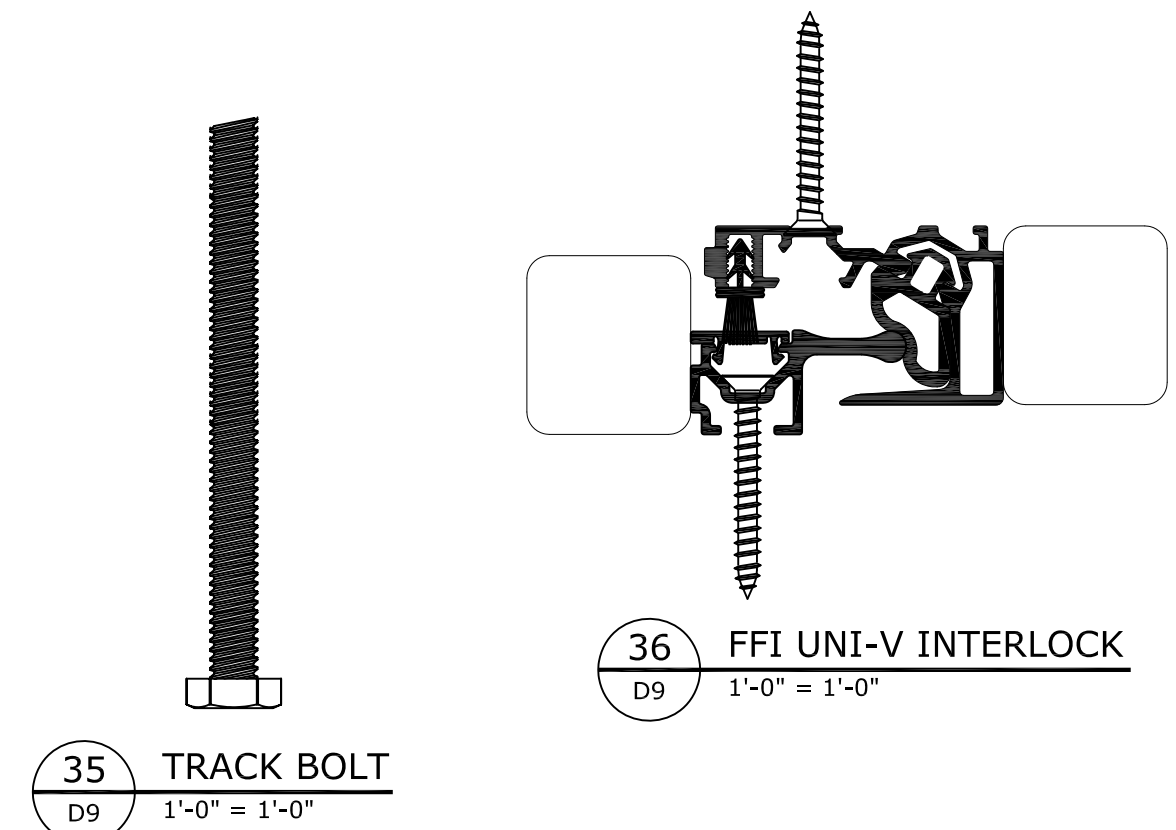
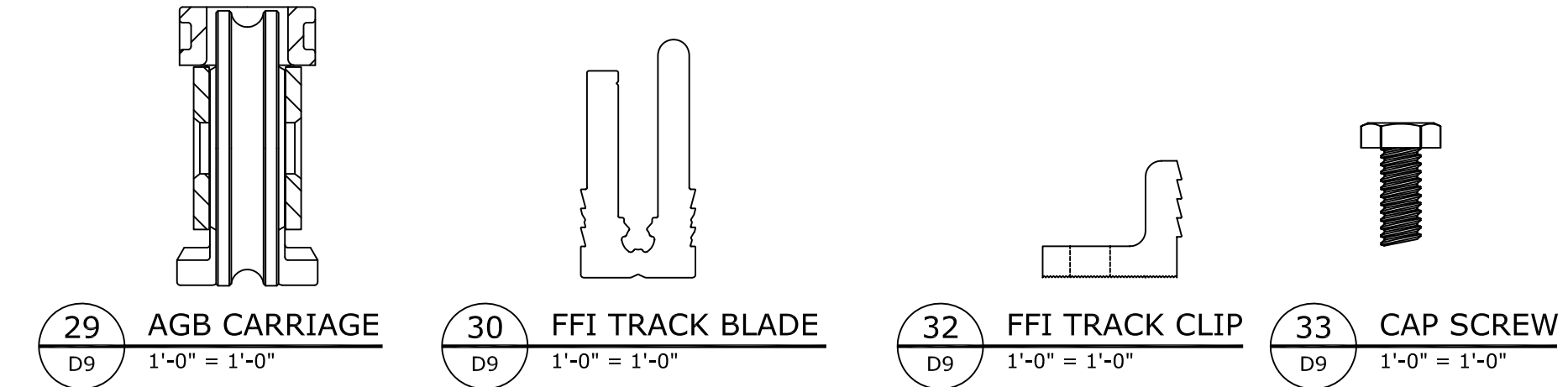
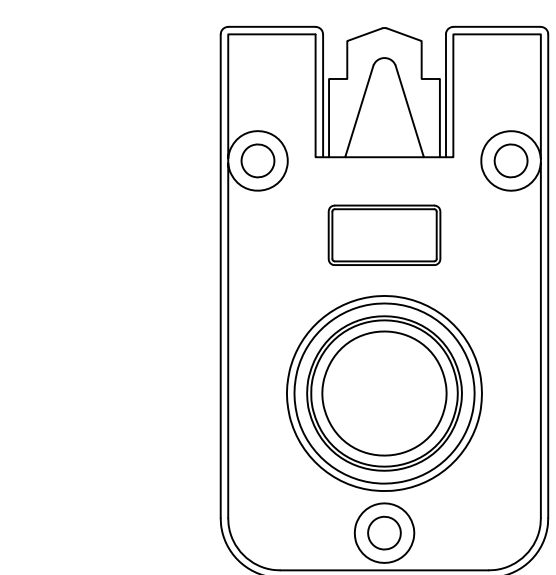
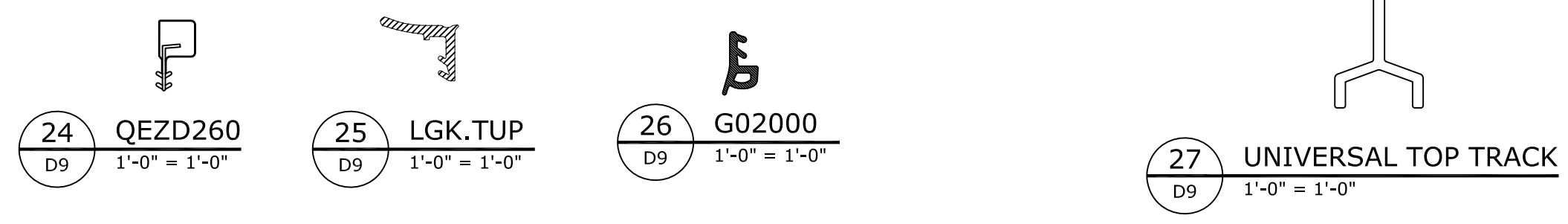
Dwg. LIFTSLIDE-LM

Revision 0

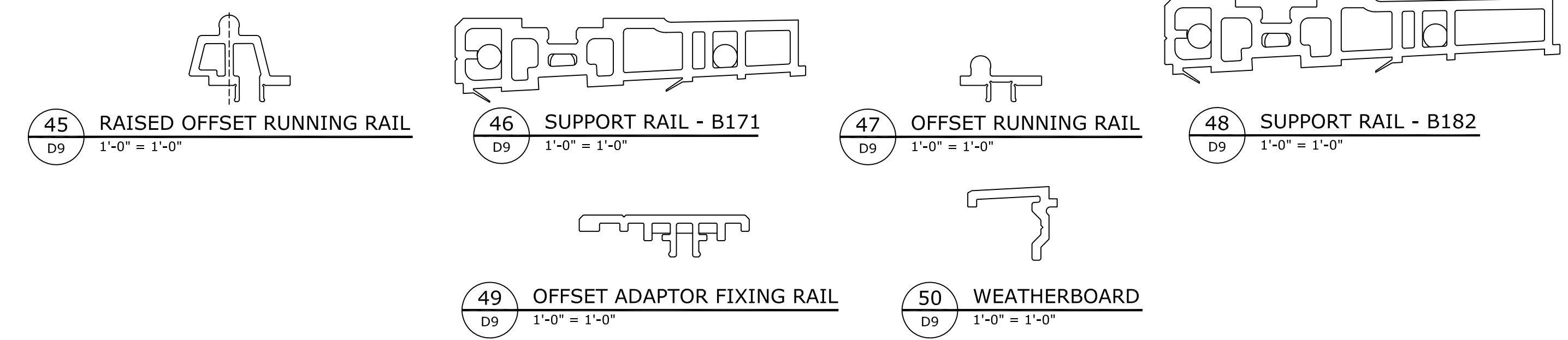
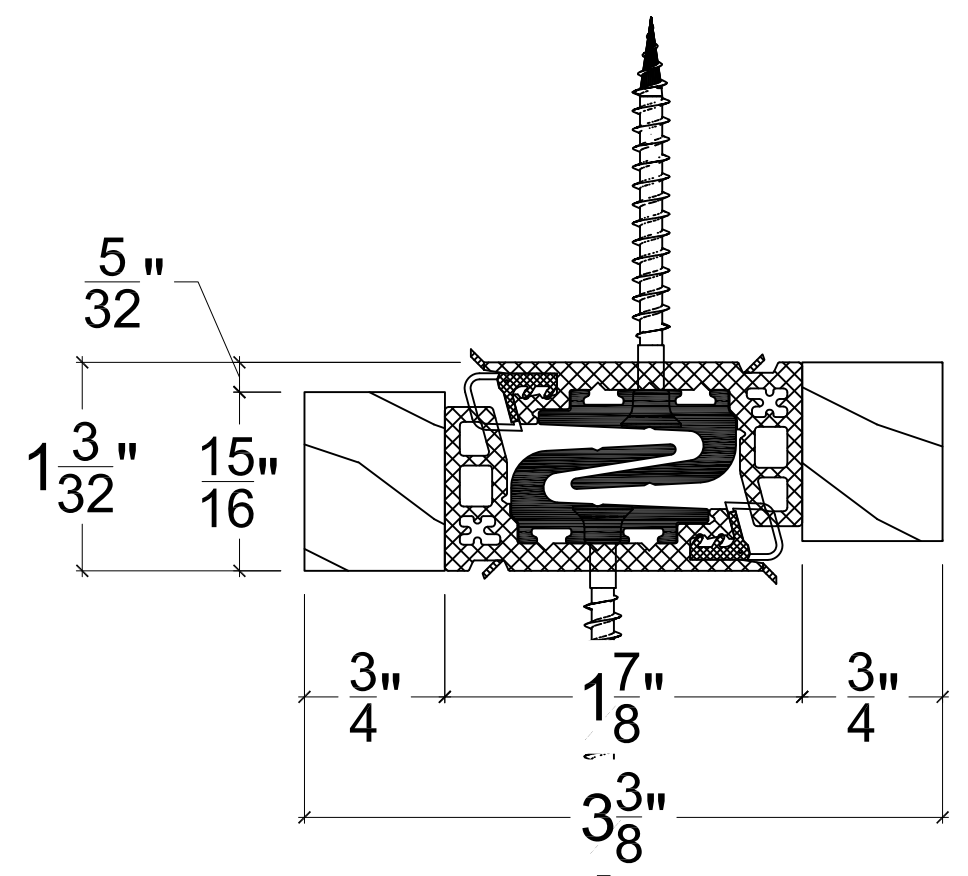
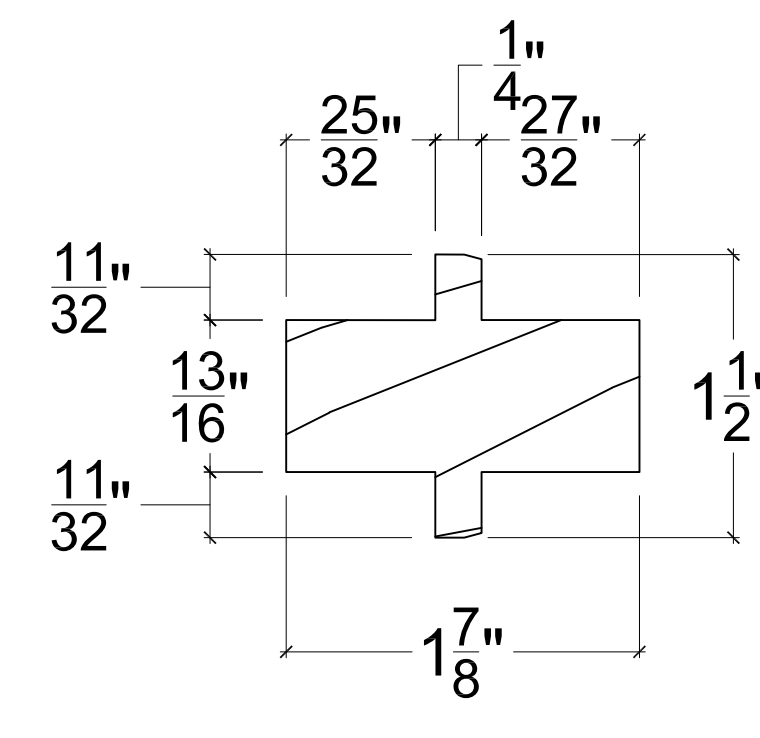
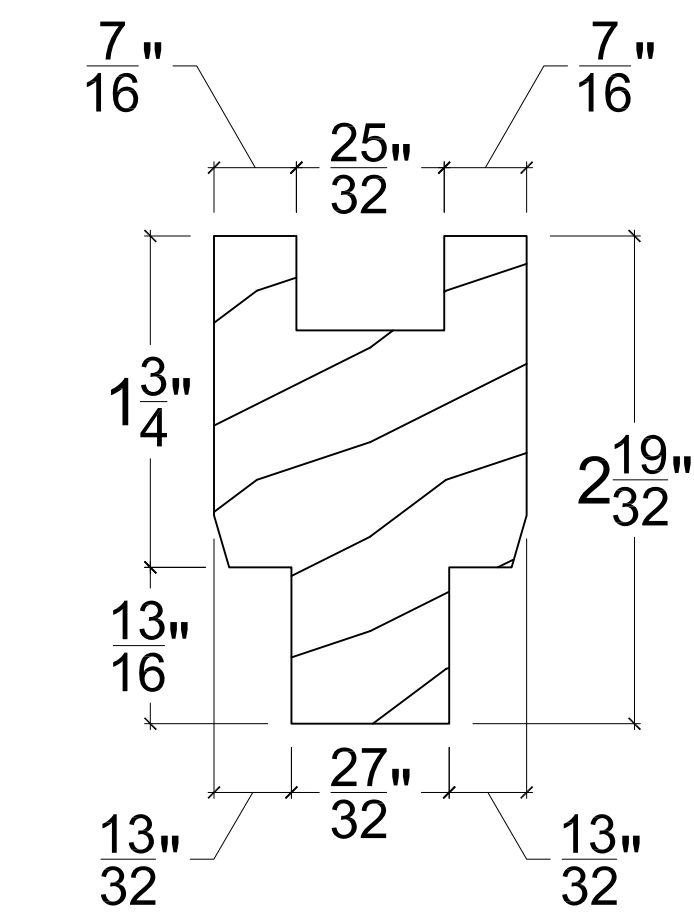
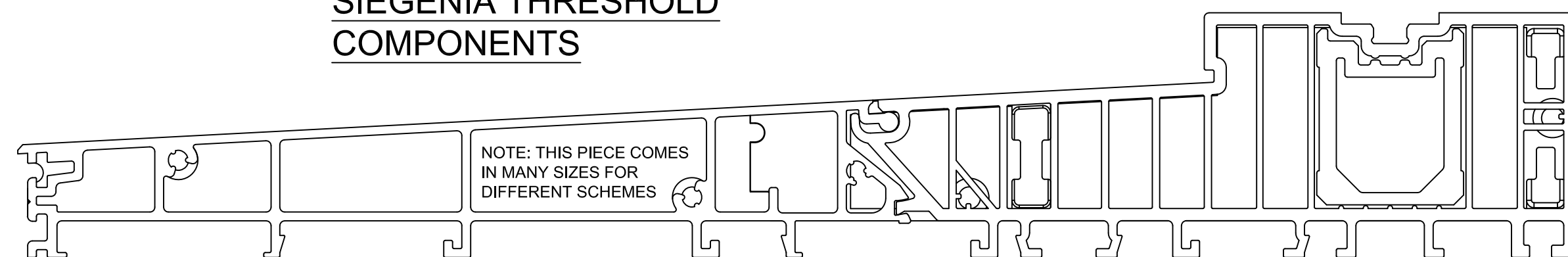
Sheet No. D9



WEATHERSTRIPPING



SIEGENIA THRESHOLD COMPONENTS

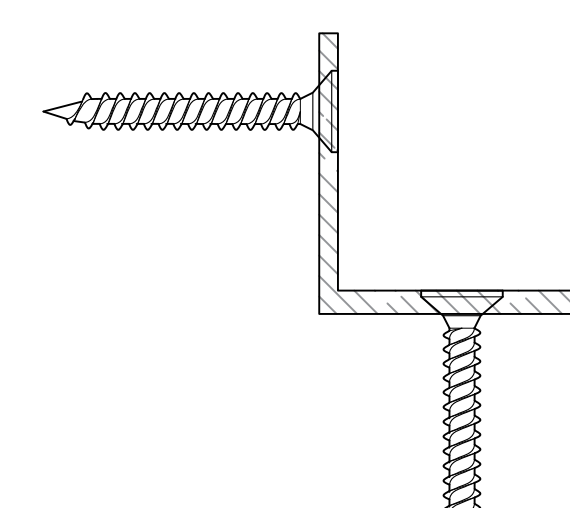




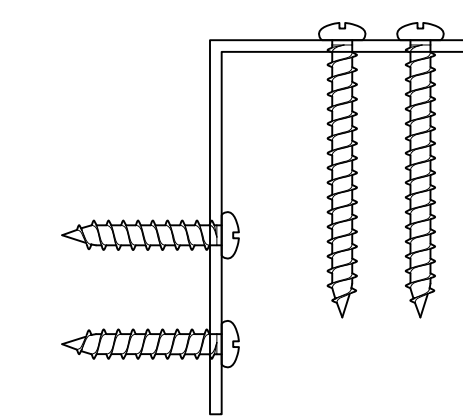
BILL OF MATERIALS		
ITEM #	DESCRIPTION	MATERIAL
G1	$\frac{9}{16}$ " LAMINATED GLASS: $\frac{1}{4}$ " CLEAR HS x .09 INTERLAYER x $\frac{1}{4}$ " CLEAR HS	GLASS
G2	$1\frac{3}{8}$ " INSULATED GLASS: $\frac{1}{4}$ " CLEAR HS x .09 INTERLAYER x $\frac{1}{4}$ " CLEAR HS x $\frac{1}{2}$ " AIR SPACE x $\frac{1}{4}$ " CLEAR TEMPERED EXTERIOR	GLASS
1	JAMB - TYPICAL SIDE & HEAD	WOOD
1A	JAMB - HEAD	WOOD
1B	JAMB - SIDE	WOOD
2	HEADER SASH TOP - EXTERIOR	WOOD
2A	HEADER SASH TOP - TYPICAL FOR INTERIOR AND EXTERIOR	WOOD
3	TOP RAIL (OPERABLE)	WOOD
3A	TOP RAIL (FIXED)	WOOD
4	PARTING STRIP - HEADER	WOOD
5	HEADER SASH STOP - INTERIOR	WOOD
6	GLAZING BEAD - $\frac{9}{16}$ " LAMINATED GLASS	WOOD
6A	GLAZING BEAD - $1\frac{3}{8}$ " INSULATED GLASS	WOOD
7	BOTTOM RAIL (OPERABLE)	WOOD
7A	BOTTOM RAIL (FIXED)	WOOD
8	SIDE SASH STOP - EXTERIOR	WOOD
8A	SIDE SASH TOP - TYPICAL FOR INTERIOR AND EXTERIOR	WOOD
9	SIDE SASH STOP - INTERIOR	WOOD
10	SIDE KEY	WOOD
11	STILE - NON KEYED	WOOD
11A	STILE - FIXED	WOOD
12	STILE - KEYED	WOOD
12A	MEETING STILE - ACTIVE	WOOD
12B	MEETING STILE - INACTIVE	WOOD
13	PARTING STRIP - SIDE	WOOD
14	POCKET SEALING RAIL SUPPORT	WOOD
15	#8 X $2\frac{1}{2}$ " PFH WOOD SCREW	STEEL
16	#8 X 3" PFH WOOD SCREW	STEEL
17	#12 X 3" PFH WOOD SCREW	STEEL
18	#8 X 1" PFH WOOD SCREW	STEEL
19	#12 X 2" PFH WOOD SCREW	STEEL
20	#8 X 1" PPH WOOD SCREW	STEEL
21	#8 X 2" PPH WOOD SCREW	STEEL
22	SIMPSON STRONG-TIE A23Z ANGLE (18 GA.)	STEEL
23	CUSTOM FLAT CLIP $1\frac{1}{4}$ " X $3\frac{3}{4}$ " X $\frac{1}{8}$ " THICK	STEEL
24	WEATHERSTRIP - QEZD260 OR SIMILAR	FOAM
25	WEATHERSTRIP - HH0134-01 OR SIMILAR	PVC
26	WELDED CORNER GASKET - HH0134-02 OR SIMILAR	RUBBER
27	FFI UNIVERSAL TOP TRACK	BRONZE
27A	SIEGENIA UNIVERSAL TOP TRACK	BRONZE
28	TOP REAR TRACK CAP WITH TONGUE	PLASTIC / RUBBER
28A	SIEGENIA TOP REAR TRACK CAP WITH TONGUE	PLASTIC / RUBBER
29	AGB CARRIAGE	STEEL
29A	SIEGENIA CARRIAGE	STEEL
30	FFI TRACK BLADE	ALUMINUM
31	FFI FASTRACK DRAINAGE TRACK BRIDGE	ALUMINUM
32	FFI TRACK CLIP	ALUMINUM
33	SLT-CSCREW50 CAP SCREW	POLISHED
34	FFI BRIDGE CLIP	ALUMINUM
35	SLT-TBOLT 25 TRACK BOLT	ALUMINUM
36	FFI UNI-V INTERLOCK	ALUMINUM
37	STEEL SASH SUPPORT - $\frac{1}{2}$ " X $1\frac{1}{4}$ "	STEEL
38	MULTIPOINT - INACTIVE	STEEL
38A	SIEGENIA MULTIPOINT - INACTIVE	STEEL
39	MULTIPOINT - ACTIVE	STEEL
39A	SIEGENIA MULTIPOINT - ACTIVE	STEEL
40	DRAINAGE CHANNEL INFILL - 3" LENGTHS @ EACH ANTI-DERAILER	ALUMINUM

41	FIXING STRIP - HEAD	WOOD
42	FIXING STRIP - SIDES	WOOD
43	SIEGENIA SEALING RAIL	WOOD/ALUMINUM
44	ECO PASS THRESHOLD	ALUMINUM
45	RAISED OFFSET RUNNING RAIL	ALUMINUM
46	SUPPORT RAIL - B171	ALUMINUM
47	OFFSET RUNNING RAIL	ALUMINUM
48	SUPPORT RAIL - B182	ALUMINUM
49	OFFSET ADAPTOR FIXING RAIL	ALUMINUM
50	WEATHERBOARD	ALUMINUM
51	ALUMINUM ANGLE CLIP	ALUMINUM
52	#10 X $1\frac{1}{2}$ " TEK SCREW	STEEL
53	#10 X 1-1/2" PFH WOOD SCREW	STEEL
54	#14 X 4" PFH WOOD SCREW	STEEL
55	#8 X 2" PFH WOOD SCREW	STEEL
56	INSTALLATION SCREW, SEE TABLE 1, SHEET D1	
567	DYMONIC 100 SEALANT	POLYURETHANE

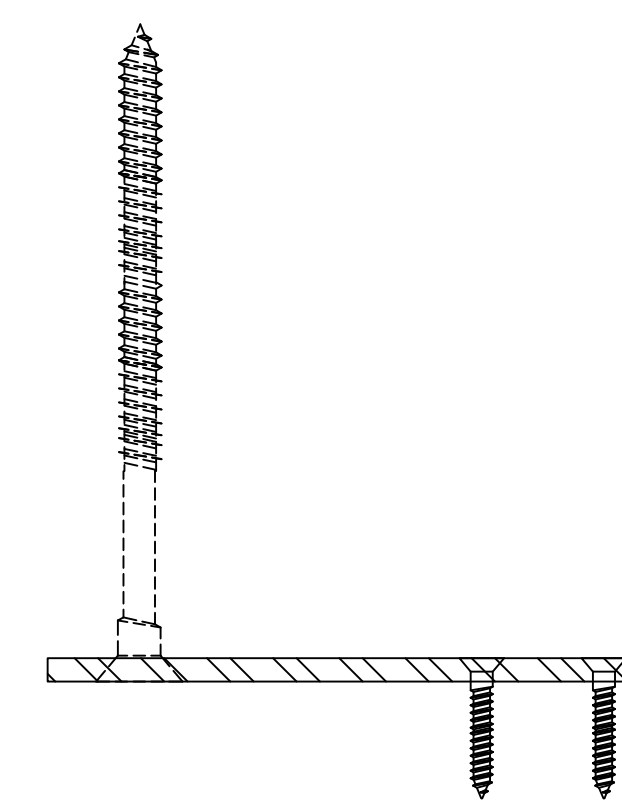
NOTE: ALL WOOD DOOR COMPONENTS TO BE G=0.50 MINIMUM (MAHOGANY OR SIMILAR)



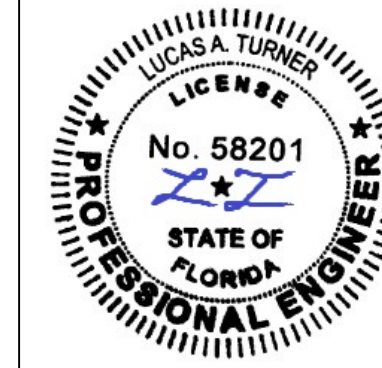
51 ALUMINUM ANGLE CLIP  
D-05 1'-0" = 1'-0"



22 SIMPSON STRONG-TIE A23Z ANGLE CLIP  
D-05 1'-0" = 1'-0"



23 CUSTOM FLAT CLIP  
D-05 1'-0" = 1'-0"



10/18/2023

TE&C  
LUCAS A. TURNER, P.E., FL PE 58201  
TURNER ENGINEERING & CONSULTING, INC.  
PH. 941-380-1574  
2428 OLD NATCHEZ TRACE TRAIL  
CAMDEN, TN 38320

OLIVERI LIFT AND SLIDE  
MAHOGANY WOOD DOORS  
LARGE MISSILE IMPACT

OLIVERI MILLWORKS  
Telephone: 561-478-7233  
Facsimile: 561-478-7888  
3001 Tuxedo Avenue  
West Palm Beach, FL 33405  
Webpage: www.oliveriwindowsanddoors.com

Scale NTS

Date 12/20/21

Drawn JDS/LAT

Dwg. LIFTSLIDE-LM

Revision 0

Sheet No. D10