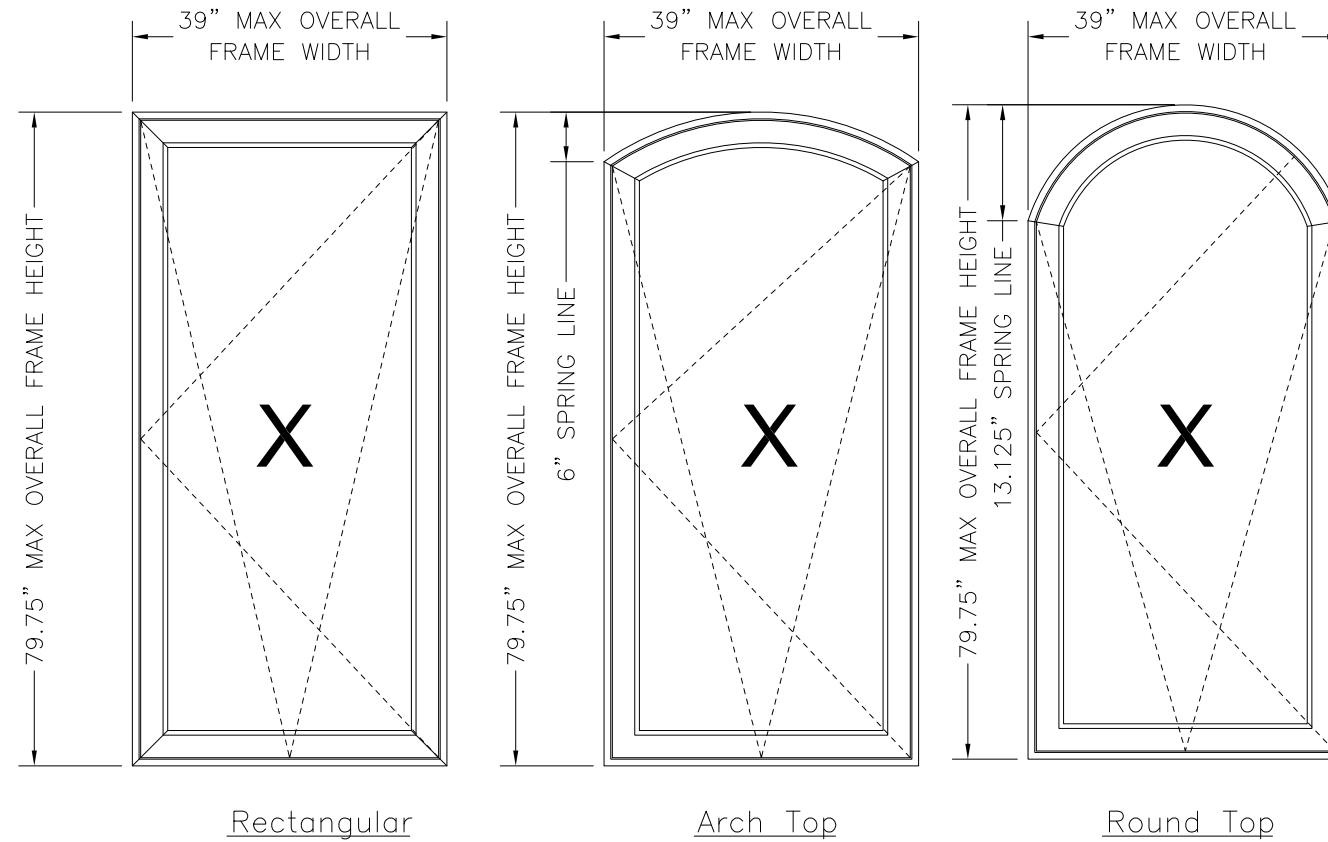


# CASEMENT WINDOW – INSWING / TILT-TURN – "IMPACT" BY OWW LLC

DESIGN PRESSURE = + 75.0 PSF, – 75.0 PSF

## GENERAL NOTES

1. This product has been evaluated and is in compliance with 8th Edition (2023) Florida Building Code (FBC) structural requirements including the "High Velocity Hurricane Zone" (HVHZ).
2. Product anchors shall be as listed and spaced as shown on details. Anchor embedment to base materials shall be beyond wall dressing or stucco. All anchors used shall be of a material or have a coating compatible with pressure treated wood if used, and all other window materials.
3. When used in the "HVHZ" this product complies with Section 1626 of the FBC and does not require an impact resistant covering.
4. The opening substrate materials (framing, masonry, bucks) are by others and must be properly designed and installed to transfer superimposed loads to the structure. For 2X stud framing construction, anchoring of these units shall be the same as that shown for 2X buck masonry construction. Wood bucks over masonry, if used, shall be pressure treated, with either a treatment or coating compatible with this product and anchors.
5. All window frame wood to be Specific Gravity = 0.50 min. (Mahogany or similar).
6. Site conditions that deviate from the details of this drawing require further engineering analysis by a licensed engineer or registered architect.
7. This product has been laboratory tested to meet the water infiltration requirements for "HVHZ." Sealing and flashing strategies for overall water infiltration resistance of the field-installed product shall be the responsibility of others and are not addressed by this document.

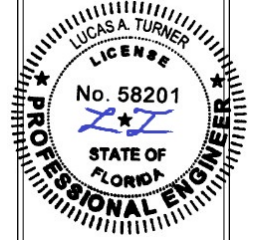


## TABLE OF CONTENTS

SHEET #	DESCRIPTION
1	Typical elevation, design pressures & general notes
2	Horizontal cross sections
3	Vertical cross sections
4	Hardware details
5	Buck and frame anchoring
6	Bill of materials, components & glazing details

TABLE 1. QUALIFIED ANCHOR INFORMATION

ID	SUBSTRATE	ANCHOR	MIN. EMBEDMENT	MIN. EDGE DISTANCE
A	SOLID UNCRACKED CONCRETE (3050 PSI MIN.)	1/4" DEWALT COATED CARBON STEEL ULTRACON+	1 3/8"	1"
B	GROUT-FILLED CMU (ASTM C-90) (JAMBS ONLY)	1/4" DEWALT COATED CARBON STEEL ULTRACON+	1 3/4"	2 1/2"
C	SOLID UNCRACKED CONCRETE (2000 PSI MIN.)	1/4" ITW COATED CARBON STEEL TAPCON W/ ADVANCED THREADFORM	1 1/2"	1 1/2"
D	HOLLOW CMU (117 PCF MIN.) (JAMBS ONLY)	1/4" ITW COATED CARBON STEEL TAPCON W/ ADVANCED THREADFORM	1"	2"
E	CONCRETE (3000 PSI MIN)	1/4" HILTI COATED CARBON STEEL KWIK-CON+	1"	2 1/2"
F	HOLLOW OR GROUT-FILLED CMU (ASTM C-90) (JAMBS ONLY)	1/4" HILTI COATED CARBON STEEL KWIK-CON+	1"	2 1/2"
G	2x MIN. SOUTHERN PINE WOOD (G=0.55 MIN)	#12 GRADE 5 WOOD SCREW	1 1/2"	1"
H	16 GAUGE (0.060") MIN. STEEL STUD (33 KSI YIELD MIN.) OR 1/8" MIN. ALUMINUM (6063-T5 MIN.)	#14 ITW TEKS SELF-DRILLING SCREW	FULL + 3 THREADS	1/2"



10/18/2023

TE&C  
LUCAS A. TURNER, P.E. FL PE 58201  
TURNER ENGINEERING & CONSULTING, INC.  
PH. 941-380-1574  
2428 OLD MATCHEZ TRACE TRAIL  
CAMDEN, TN 38320

OWW LLC  
3001 Tuvedo Ave., West Palm Beach, FL 33405  
Ph. 561-478-7233 Fax 561-478-7858

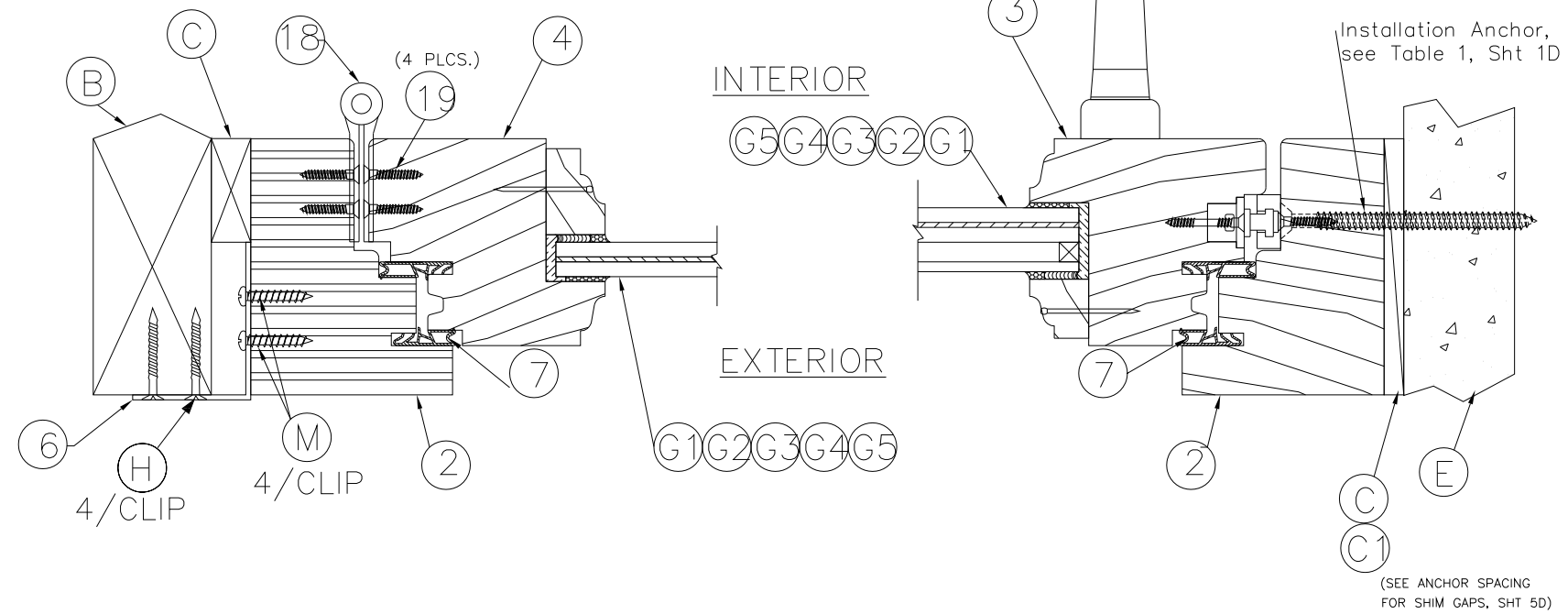
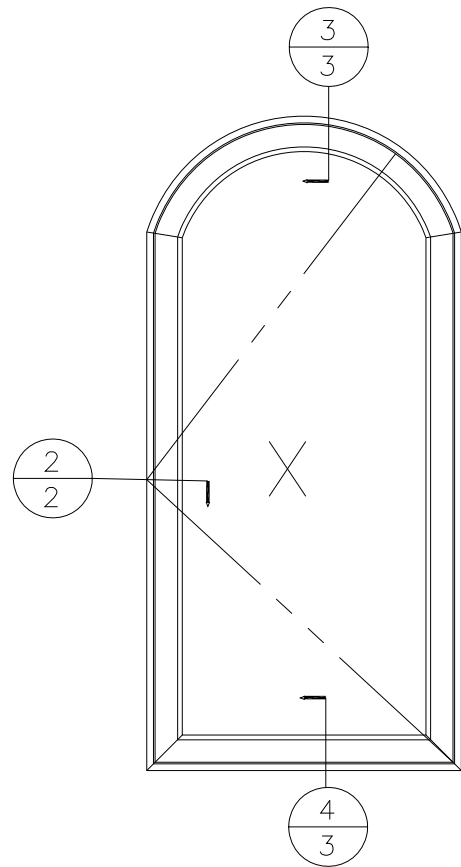
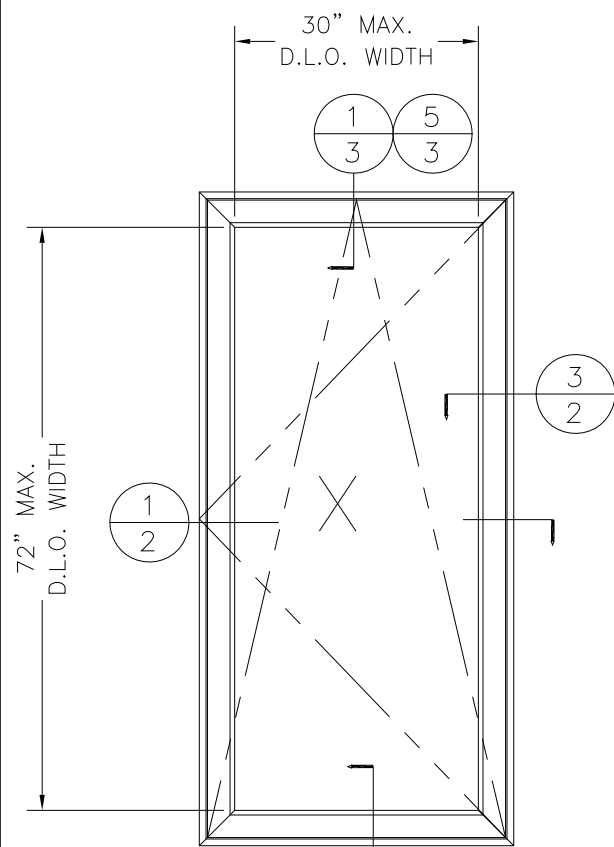
Product: WOOD INSWING / TILT-TURN CASEMENT WINDOW

TYPICAL ELEVATION, DESIGN PRESSURES & GENERAL NOTES

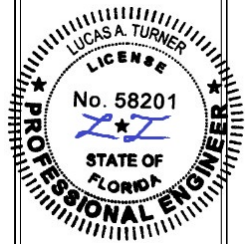
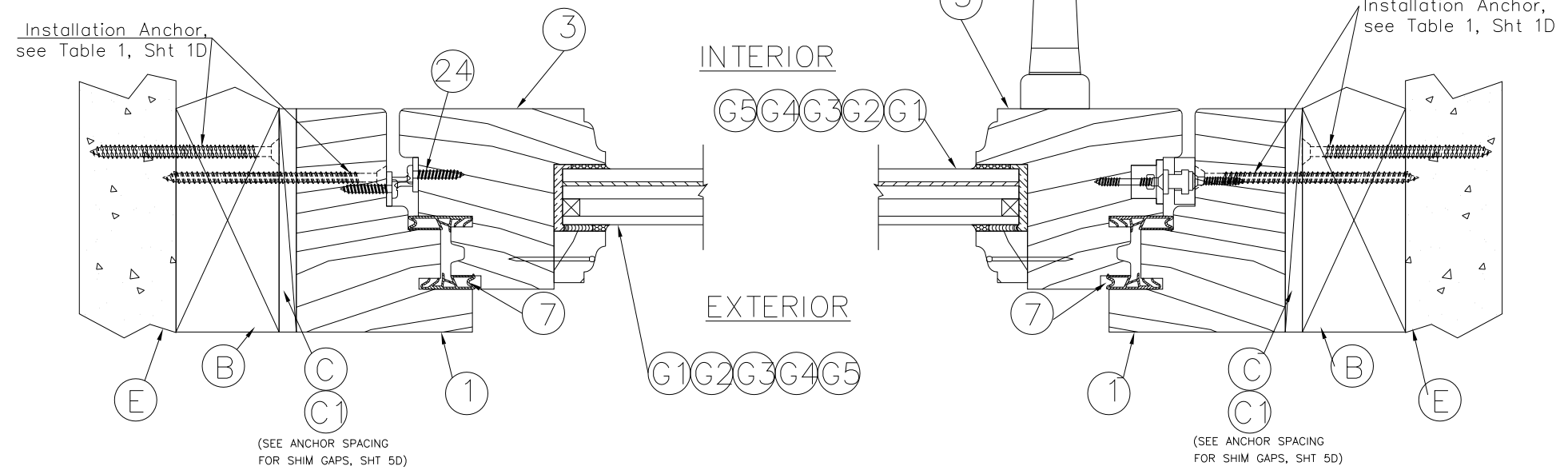
Date: 10-5-15  
Scale: None  
Drawn: JDS

Dwg: CA-TT  
FL34942.2

Sheet No.  
1D OF 6



NOTE: GLAZING DETAIL A OR B  
MAY BE USED FOR ALL DETAILS



10/18/2023

TE&C  
LUCAS A. TURNER, P.E. FL PE 58201  
TURNER ENGINEERING & CONSULTING, INC.  
PH. 941-380-1574  
2428 OLD MATCHEZ TRACE TRAIL  
CAMDEN, TN 38320

OWW LLC  
3001 Tuvedo Ave., West Palm Beach, FL 33405  
Ph. 561-478-7233 Fax 561-478-7858

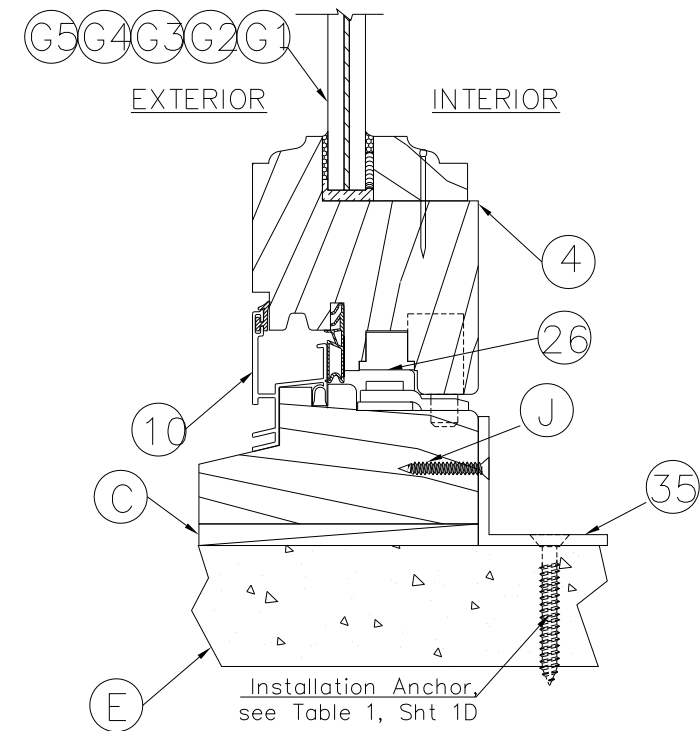
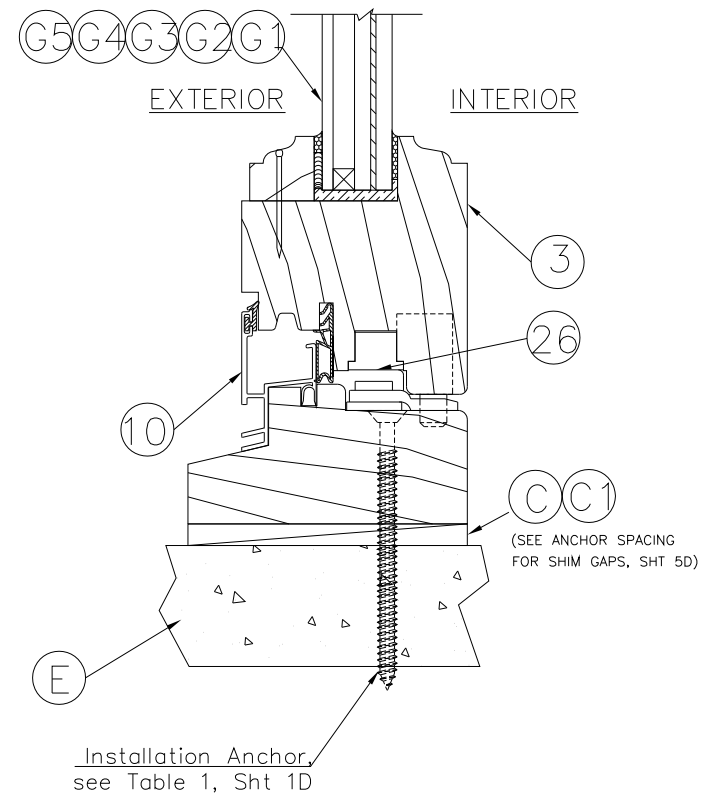
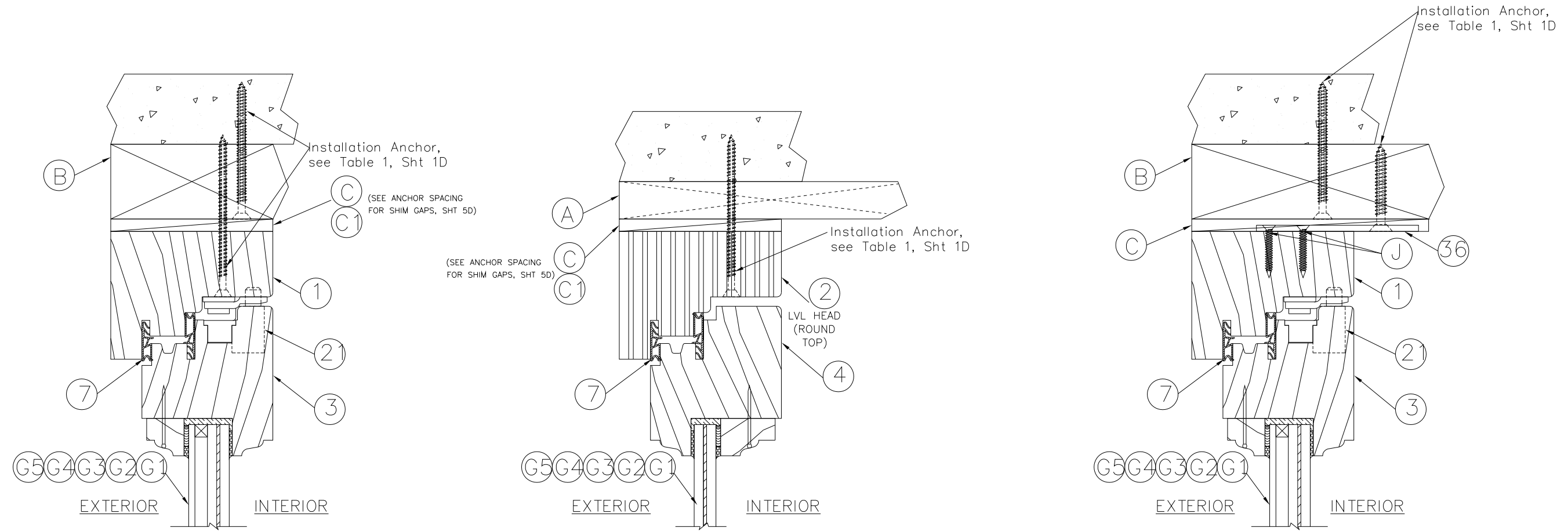
Product: WOOD INSWING / TILT-TURN CASEMENT WINDOW

HORIZONTAL  
CROSS SECTIONS

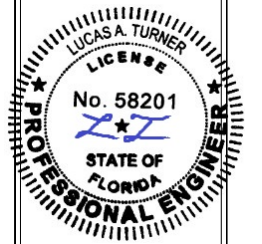
Date: 10-5-15  
Scale: None  
Drawn: JDS

Dwg: CA-TT  
FL34942.2

Sheet No.  
2D OF 6



NOTE: GLAZING DETAIL A OR B MAY BE USED FOR ALL DETAILS



10/18/2023

TE&C  
 LUCAS A. TURNER, P.E. FL PE 58201  
 TURNER ENGINEERING & CONSULTING, INC.  
 PH. 941-380-1574  
 2428 OLD MATCHEZ TRACE TRAIL  
 CAMDEN, TN 38320

OWW LLC  
 3001 Tuvedo Ave., West Palm Beach, FL 33405  
 Ph. 561-478-7233 Fax 561-478-7858

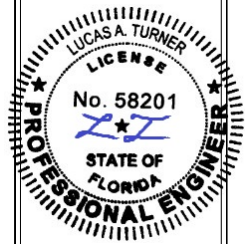
Product: WOOD INSWING / TILT-TURN CASEMENT WINDOW

VERTICAL  
 CROSS SECTIONS

Date: 10-5-15  
 Scale: None  
 Drawn: JDS

Dwg: CA-TT  
 FL34942.2

Sheet No.  
 3D OF 6



10/18/2023

TE&C  
 LUCAS A. TURNER, P.E. FL PE 58201  
 TURNER ENGINEERING & CONSULTING, INC.  
 PH. 941-380-1574  
 2428 OLD MATCHEZ TRACE TRAIL  
 CAMDEN, TN 38320

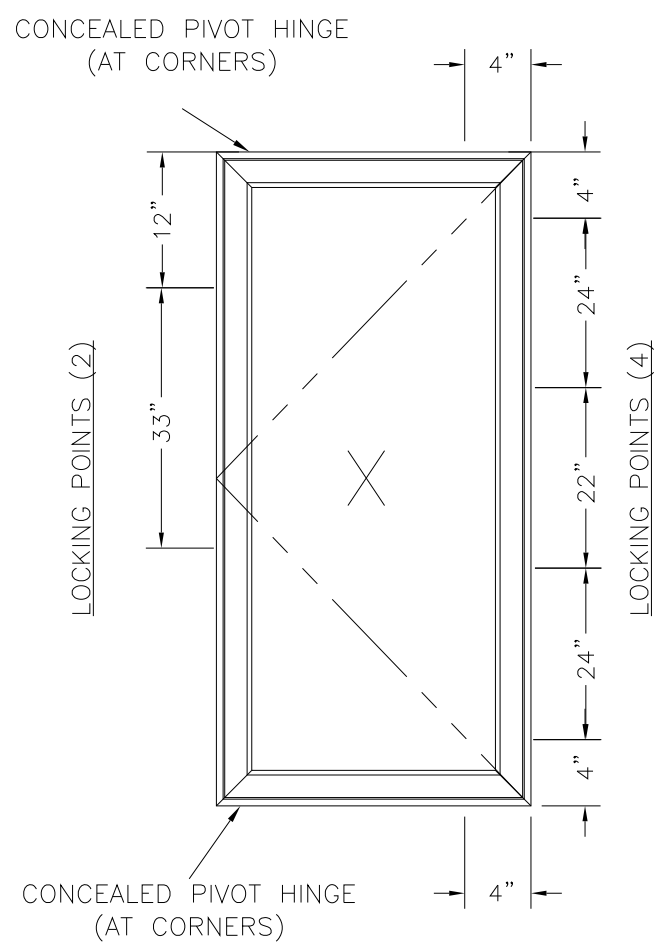
OWW LLC  
 3001 Tuvedo Ave., West Palm Beach, FL 33405  
 Ph. 561-478-7233 Fax 561-478-7858

Product: WOOD INSWING / TILT-TURN CASEMENT WINDOW

HARDWARE DETAILS

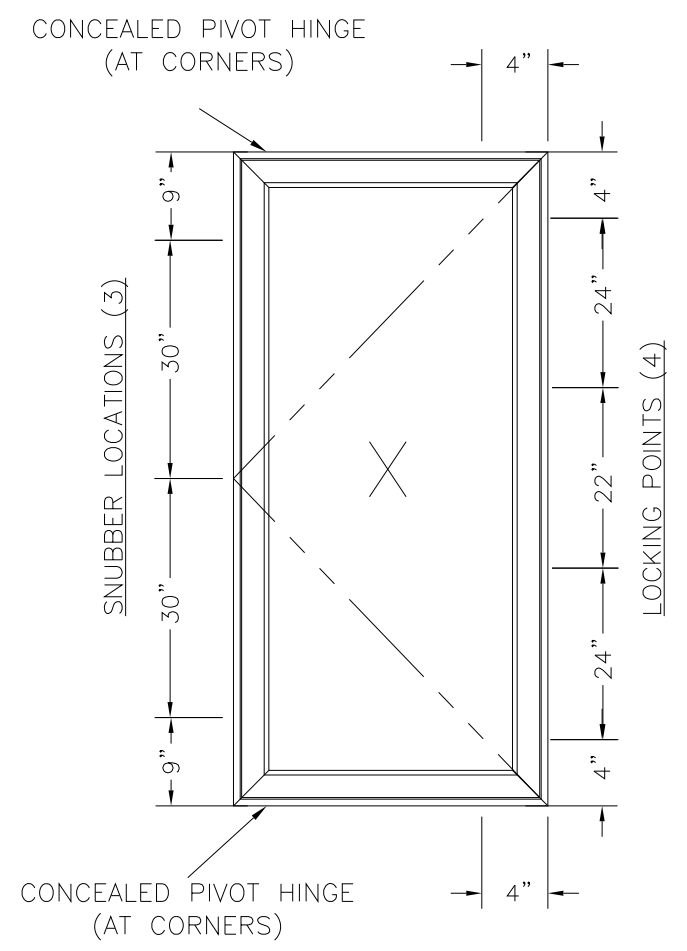
Date: 10-5-15  
 Scale: None  
 Drawn: JDS

Dwg: CA-TT  
 FL34942.2  
 Sheet No.  
 4D OF 6



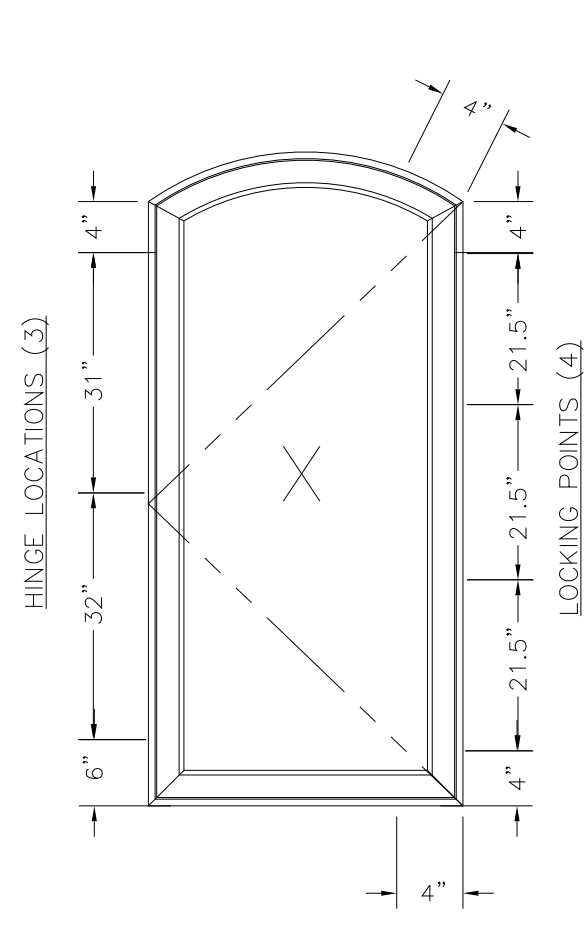
HARDWARE (TILT-TURN)

DESCRIPTION	QTY.	MANUFACTURER
MULTI-POINT LOCK	1	GU CONTURA
CONCEALED HINGES	2	GU CONTURA



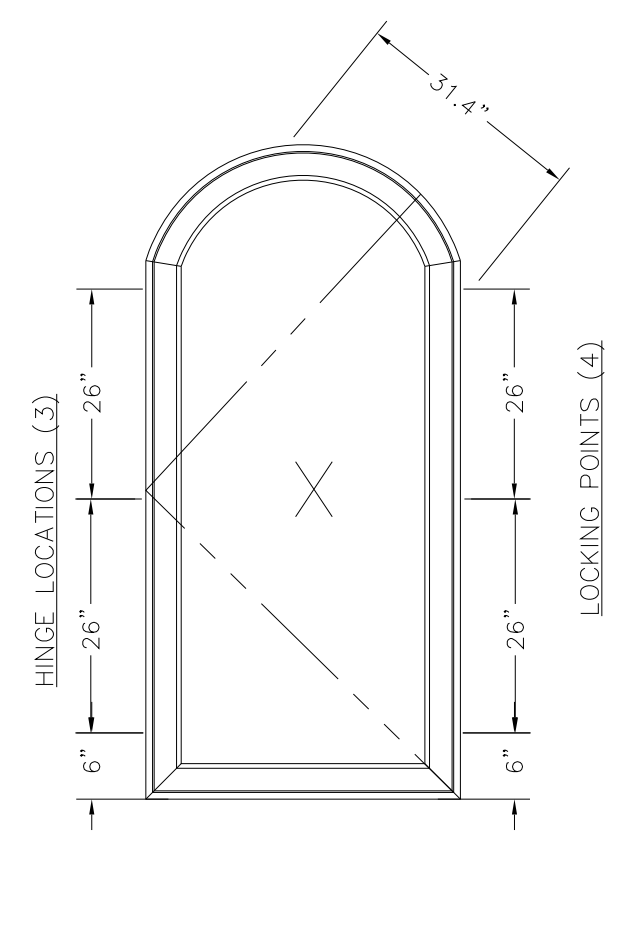
HARDWARE

DESCRIPTION	QTY.	MANUFACTURER
MULTI-POINT LOCK	1	GU (CONTURA)
CONCEALED HINGES	2	GU (CONTURA)
SNUBBERS	3	GU



HARDWARE

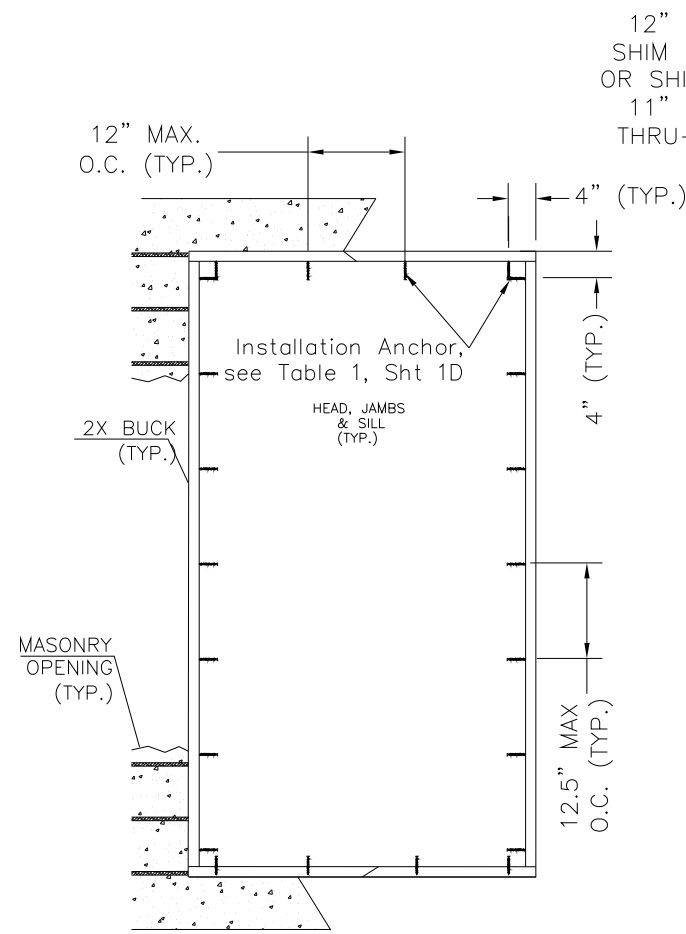
DESCRIPTION	QTY.	MANUFACTURER
MULTI-POINT LOCK	1	SEGENIA (FAVORIT-312)
CONCEALED HINGES	3	SOSS (#212)



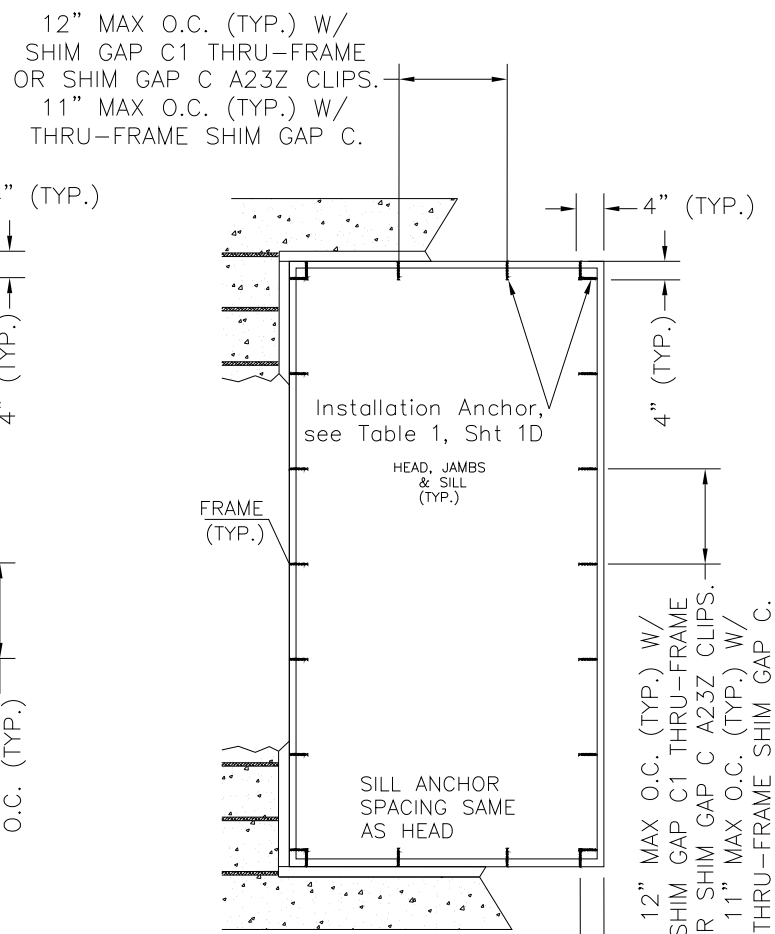
HARDWARE

DESCRIPTION	QTY.	MANUFACTURER
MULTI-POINT LOCK	1	GU (CONTURA)
3.5"x3.5" BUTT HINGES	3	McKINNEY

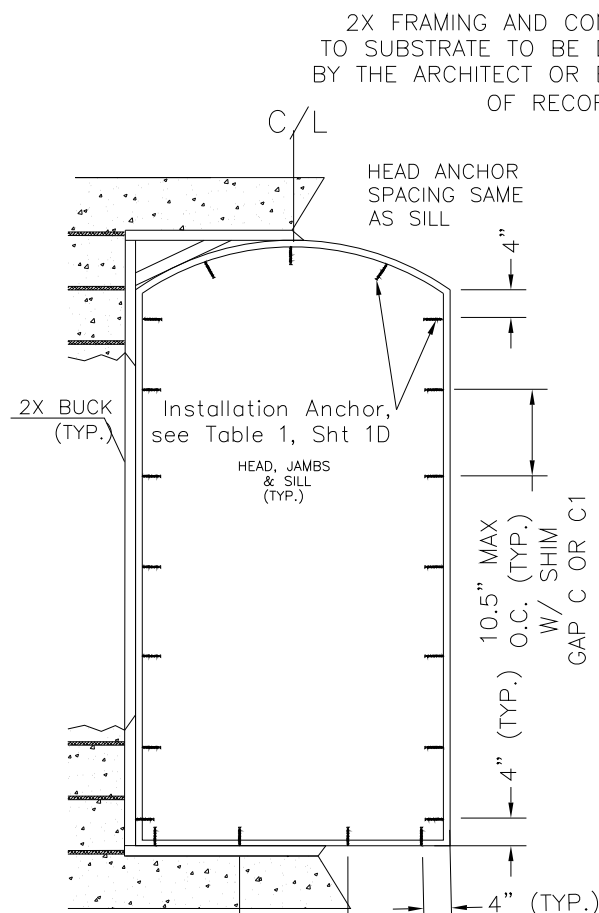
HARDWARE OPTIONS



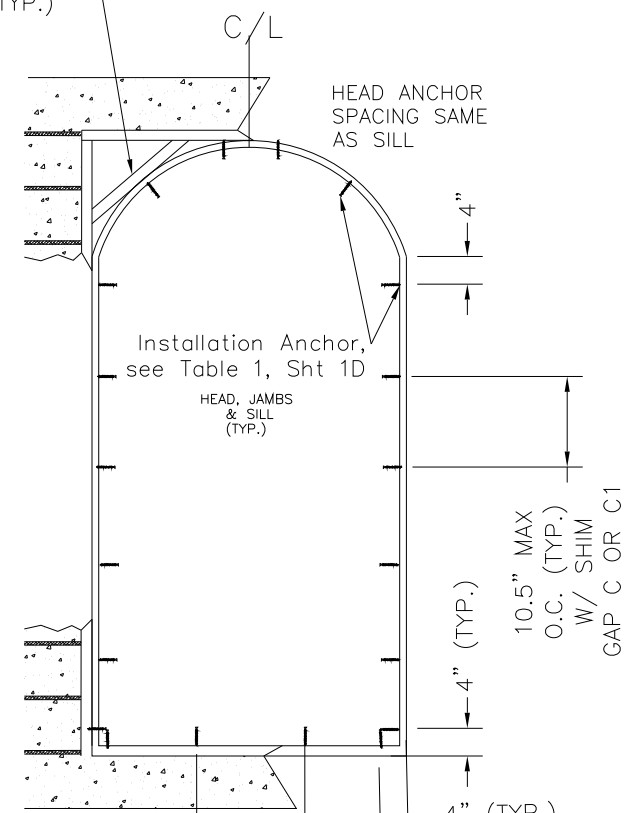
**BUCK ANCHORING**  
Masonry construction



**FRAME ANCHORING**  
Rectangular

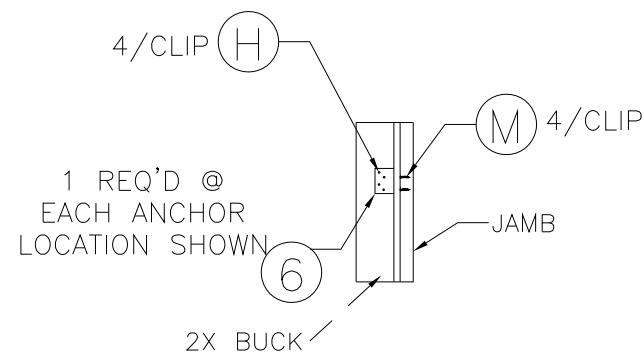


**FRAME ANCHORING**  
Arch Top

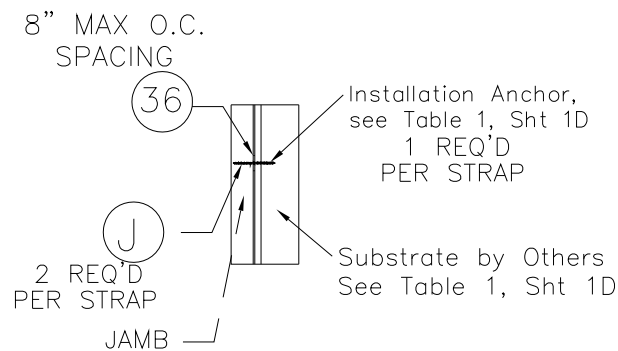


**FRAME ANCHORING**  
Round Top

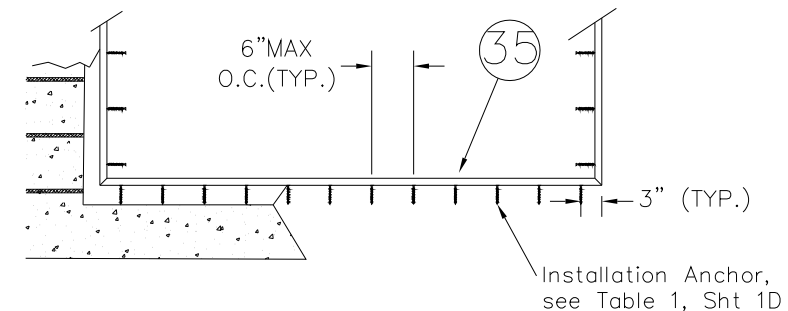
NOTE: STAGGER ANCHORS AS NEEDED TO ENSURE 4" MIN. SEPARATION BETWEEN ANY TWO BUCK AND/OR THRU-FRAME ANCHORS, WHILE NOT EXCEEDING MAX. ANCHOR SPACINGS NOTED IN DETAILS (MAY NEED ADDITIONAL FASTENERS).



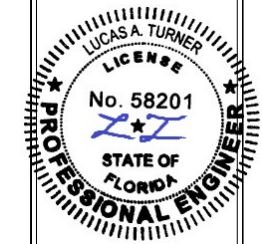
**ANCHOR CLIP DETAIL**



**ALTERNATE STEEL STRAP ANCHORING**



**ALTERNATE ALUMINUM SILL ANCHORING**



10/18/2023

TE&C  
LUCAS A. TURNER, P.E. FL PE 58201  
TURNER ENGINEERING & CONSULTING, INC.  
PH. 941-380-1574  
2428 OLD MATCHEZ TRACE TRAIL  
CAMDEN, TN 38320

OWW LLC  
3001 Tuvedo Ave., West Palm Beach, FL 33405  
Ph. 561-478-7233 Fax 561-478-7858

Product: WOOD INSWING / TILT-TURN CASEMENT WINDOW

BUCK & FRAME ANCHORING

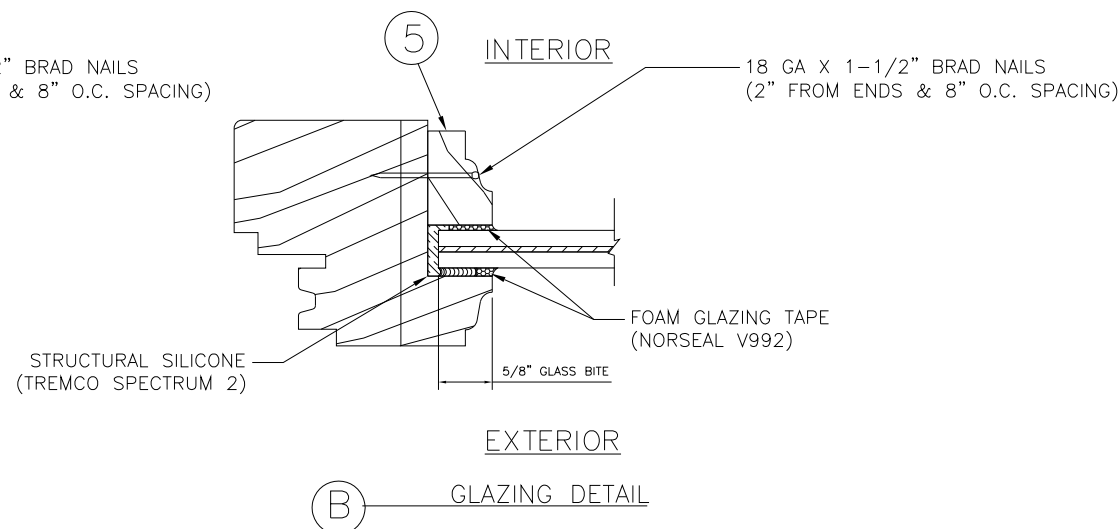
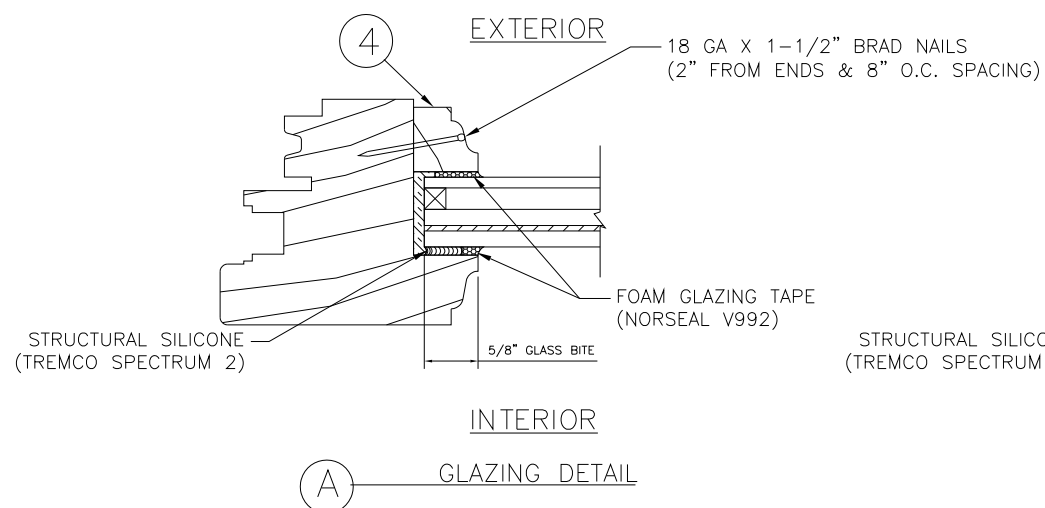
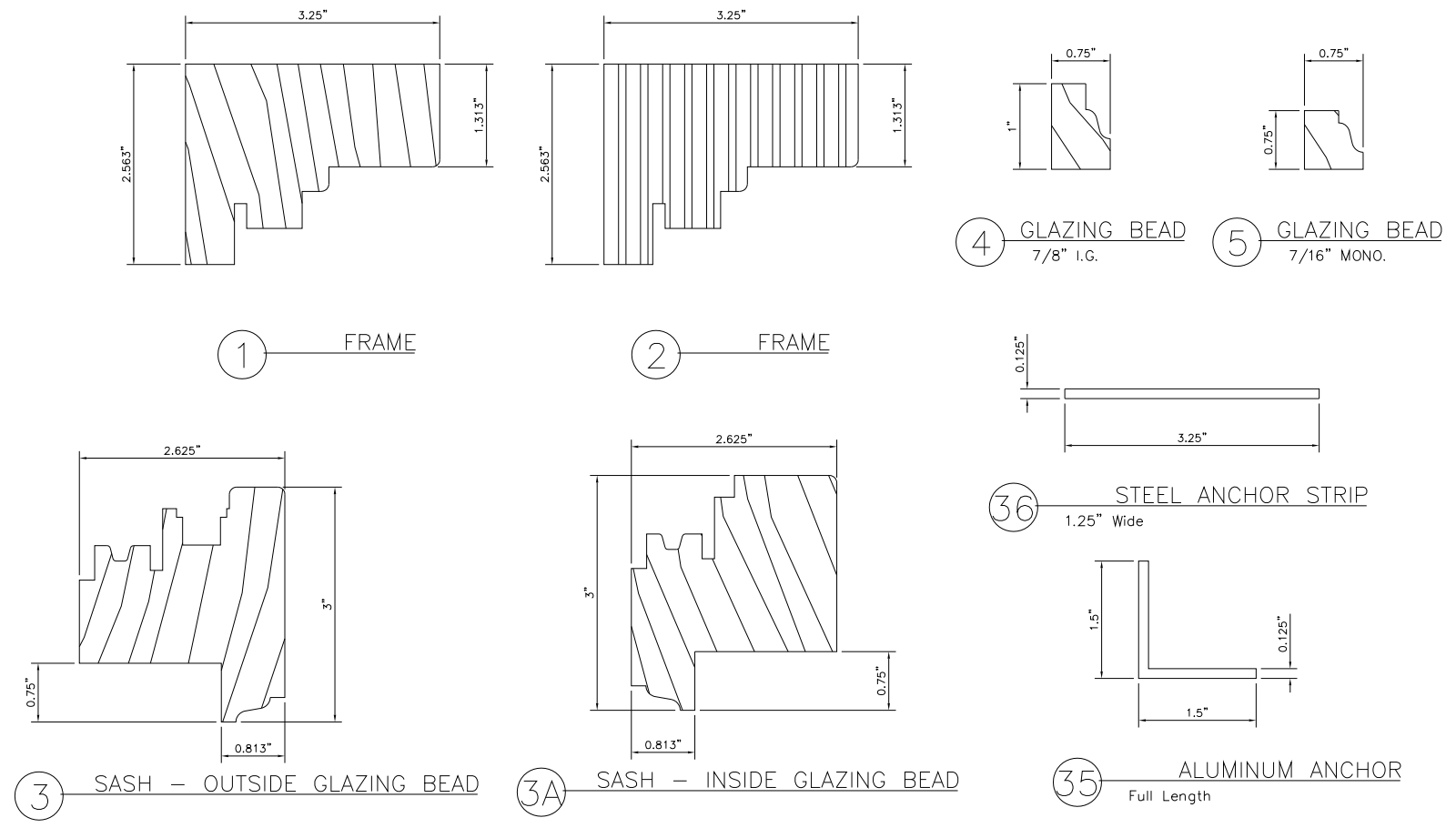
Date: 10-5-15  
Scale: None  
Drawn: JDS

Dwg: CA-TT  
FL34942.2  
Sheet No.  
5D OF 6

BILL OF MATERIALS		
ITEM #	DESCRIPTION	MATERIAL
A	1X BUCK (SG>=0.55)	WOOD
B	2X BUCK (SG>=0.55)	WOOD
C	1/2" MAX. SHIM SPACE	-
C1	1/4" MAX. SHIM SPACE	-
E	SOLID CONCRETE CONFORMING TO ACI 301 OR CMU BLOCK CONFORMING TO ASTM C90 (SEE TABLE 1, SHT 1)	MASONRY
H	#8 X 1-1/2" PFH WOOD SCREW	STEEL
J	#10 X 1-1/2" PFH WOOD SCREW	STEEL
M	#8 X 3/4" PPH SMS	STEEL
1	FRAME	WOOD
2	FRAME	LVL
3	SASH - OUTSIDE GLAZING BEAD	WOOD
3	SASH - INSIDE GLAZING BEAD	WOOD
4	GLAZING BEAD (I.G.)	WOOD
5	GLAZING BEAD (MONO.)	WOOD
6	ANCHOR BRACKET (SIMPSON STRONG-TIE A23Z)	STEEL
7	WEATHERSTRIP (GU ACF 6950)	-
8	WEATHERSTRIP (SEALMAX TIMBERSEAL)	-
10	DRAINAGE CHANNEL (2090 SERIES)	ALUM
18	3.5" X 3.5" BUTT HINGE	STEEL
19	#10 X 1" PFH WOOD SCREWS	STEEL
21	MULTI-POINT LOCK (GU CONTURA)	-
22	MULTI-POINT LOCK (SEGENIA FAVORIT-312)	-
24	SNUBBERS (GU)	STEEL
26	CONCEALED PIVOT HINGE (GU)	STEEL
35	ALUMINUM SILL ANCHOR	ALUM
36	STEEL ANCHOR STRIP	STEEL

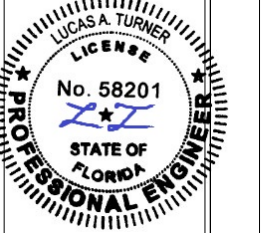
NOTE: ALL WINDOW FRAME WOOD: SG=0.50 MIN. (MAHOGANY OR SIMILAR)

NOTE: ALL WOOD PROFILE DIMENSIONS ARE MINIMUMS



GLASS TYPES AND STRUCTURE

- (A) 15/16" (NOM.) LAMINATED INSULATING GLASS  
1/8" EXTERIOR HEAT STRENGTHENED (IN HVHZ, ALLOWED ONLY WITHIN 30 FT OF GRADE) OR FULLY TEMPERED /  
1/4" AIR SPACE WITH ALUMINUM SPACER /  
3/16" ANNEALED  
.075" INTERLAYER: SAFLEX CP BY EASTMAN CHEMICAL COMPANY /  
3/16" ANNEALED
- (B) 7/16" (NOM.) STORM GLASS  
3/16" HEAT STRENGTHENED /  
.075" INTERLAYER: SAFLEX CP BY EASTMAN CHEMICAL COMPANY /  
3/16" HEAT STRENGTHENED



10/18/2023

TE&C  
LUCAS A. TURNER, P.E. FL PE 58201  
TURNER ENGINEERING & CONSULTING, INC.  
PH. 941-380-1574  
2428 OLD MATCHEZ TRACE TRAIL  
CAMDEN, TN 38320

OWW LLC  
3001 Tuvedo Ave., West Palm Beach, FL 33405  
Ph. 561-478-7233 Fax 561-478-7858

Product: WOOD INSWING / TILT-TURN CASEMENT WINDOW  
BILL OF MATERIALS, COMPONENTS & GLAZING DETAILS

Date: 10-5-15  
Scale: None  
Drawn: JDS

Dwg: CA-TT  
FL34942.2  
Sheet No.  
6D OF 6